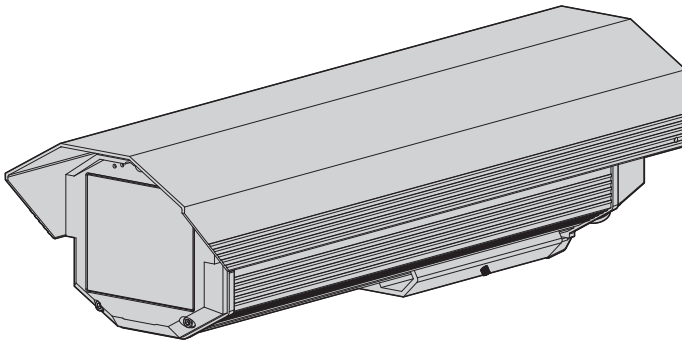




# HEG

Large-sized aluminium camera housing



**EN** English - Instruction manual

**IT** Italiano - Manuale di istruzioni

**FR** Français - Manuel d'instructions

**DE** Deutsch - Bedienungsanleitung

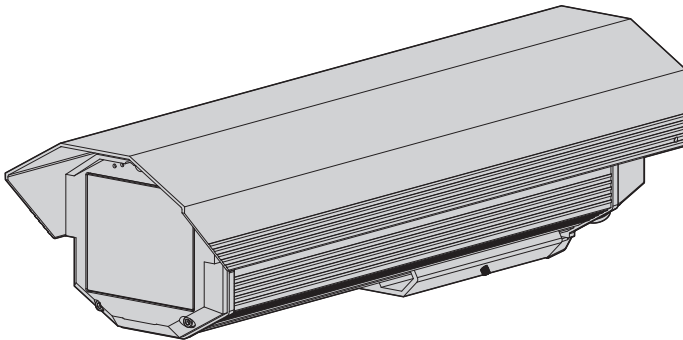
**RU** Русский - Руководство по эксплуатации





# HEG

Large-sized aluminium camera housing



# Contents

<b>1 About this manual</b> .....	<b>3</b>
1.1 Typographical conventions .....	3
<b>2 Notes on copyright and information on trademarks</b> .....	<b>3</b>
<b>3 Safety rules</b> .....	<b>3</b>
<b>4 Identification</b> .....	<b>4</b>
4.1 Product description and type designation.....	4
4.2 Product marking label.....	4
<b>5 Preparing the product for use</b> .....	<b>4</b>
5.1 Safety precautions before use.....	4
5.2 Unpacking.....	4
5.3 Contents .....	4
5.4 Safely disposing of packaging material.....	4
5.5 Preparatory work before installation.....	5
5.5.1 Mounting the bracket.....	5
<b>6 Installation</b> .....	<b>5</b>
6.1 Housing opening.....	5
6.2 How to install the camera .....	5
6.3 Board description.....	6
6.4 Connecting the power supply .....	6
6.5 Installation of the version with double filter for air renewal .....	7
6.6 Desiccant bag .....	7
<b>7 Accessories</b> .....	<b>7</b>
7.1 Heater .....	7
7.1.1 Heater installation.....	7
7.2 Camera power supply.....	7
7.2.1 Camera power supply installation .....	7
<b>8 Maintenance and cleaning</b> .....	<b>8</b>
8.1 Cleaning.....	8
8.1.1 Cleaning the window and plastic parts.....	8
<b>9 Information on disposal and recycling</b> .....	<b>8</b>
<b>10 Technical data</b> .....	<b>9</b>
10.1 General.....	9
10.2 Mechanical .....	9
10.3 Electrical.....	9
10.4 Environment .....	9
10.5 Certifications .....	9
<b>11 Technical drawings</b> .....	<b>10</b>

# 1 About this manual

Read all the documentation supplied carefully before installing and using this product. Keep the manual in a convenient place for future reference.

## 1.1 Typographical conventions



### **DANGER!**

**High level hazard.**

**Risk of electric shock. Disconnect the power supply before proceeding with any operation, unless indicated otherwise.**



### **CAUTION!**

**Medium level hazard.**

**This operation is very important for the system to function properly. Please read the procedure described very carefully and carry it out as instructed.**



### **INFO**

**Description of system specifications. We recommend reading this part carefully in order to understand the subsequent stages.**

## 2 Notes on copyright and information on trademarks

The mentioned names of products or companies are trademarks or registered trademarks.

## 3 Safety rules



**CAUTION! Device installation and maintaining must be performed by specialist technical staff only.**

- The manufacturer declines all responsibility for any damage caused by an improper use of the appliances mentioned in this manual. Furthermore, the manufacturer reserves the right to modify its contents without any prior notice. The documentation contained in this manual has been collected and verified with great care. The manufacturer, however, cannot take any liability for its use. The same thing can be said for any person or company involved in the creation and production of this manual.
- Before starting any operation, make sure the power supply is disconnected.
- Be careful not to use cables that seem worn or old.
- Never, under any circumstances, make any changes or connections that are not shown in this handbook. Improper use of the appliance can cause serious hazards, risking the safety of personnel and of the installation.
- Use only original spare parts. Non-original spare parts could cause fire, electrical discharge or other hazards.
- Before proceeding with installation, check the supplied material to make sure it corresponds to the order specification by examining the identification labels (4.2 Product marking label, page 4).

## 4 Identification

### 4.1 Product description and type designation

Robust and large aluminium housing designed to fit 1/2", 1/3" and 1/4" cameras, with different types of optics.

It can be used for a variety of applications, for the monitoring of urban and highways.

The opening system allows an easy access for installation and servicing.

It can be installed with cable sheaths, instead of regular cable glands using the junction box for the wiring harness.

A wide range of accessories for mounting the equipment is available thereby satisfying all installation needs.

### 4.2 Product marking label

See the label attached to the product.

## 5 Preparing the product for use



**Any change that is not expressly approved by the manufacturer will invalidate the warranty.**

## 5.1 Safety precautions before use



**CAUTION! The electrical system to which the unit is connected must be equipped with a 15A max automatic bipolar circuit breaker. The minimum distance between the circuit breaker contacts must be 3mm (0.1in). The circuit breaker must be provided with protection against the fault current towards the ground (differential) and the overcurrent (magnetothermal).**

## 5.2 Unpacking

When the product is delivered, make sure that the package is intact and that there are no signs that it has been dropped or scratched.

If there are obvious signs of damage, contact the supplier immediately.

When returning a faulty product we recommend using the original packaging for shipping.

Keep the packaging in case you need to send the product for repairs.

## 5.3 Contents

Check the contents to make sure they correspond with the list of materials as below:

- Housing
- Housing equipment:
  - Spacers
  - Hexagonal wrenches
  - Bolts and screws
- Desiccant bag
- Instruction manual

## 5.4 Safely disposing of packaging material

The packaging material can all be recycled. The installer technician will be responsible for separating the material for disposal, and in any case for compliance with the legislation in force where the device is to be used.

## 5.5 Preparatory work before installation

### 5.5.1 Mounting the bracket

**⚠** The product must be fastened with suitable equipment. The fastening means must guarantee mechanical sealing when a force equal to at least 4 times the weight of the device is applied.

## 6 Installation

### 6.1 Housing opening

Unscrew the screws on the rear cover plate and loosen the 2 dowels on the outer slide. Slide out the housing body.

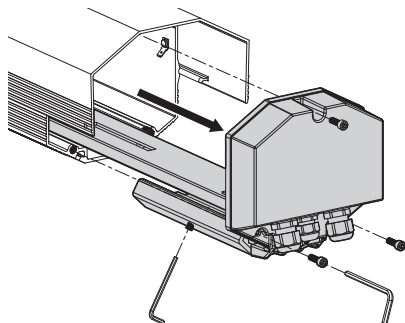


Fig. 1

**i** After installation and wiring, close the product.

### 6.2 How to install the camera

**⚠** Power supply can be provided by the board supplied with the product. Make sure the voltage values are appropriate.

Open the housing as described in the relative chapter (6.1 Housing opening, page 5).

Fasten the camera with the 1/4" screw (01). To position the camera and lens correctly, if necessary, use the supplied spacers. (02).

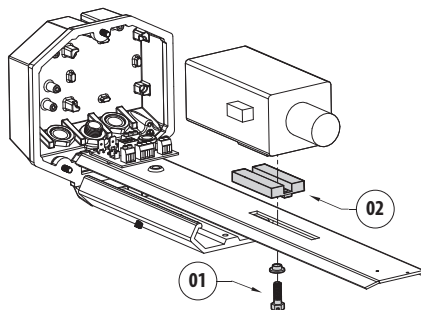


Fig. 2

Remove the conductors protective sheathing and connect them to terminal (camera power supply, 6.3 Board description, page 6).

The camera's power supply cable conductors must be tied up with a cable tie next to the terminal. Keep the signalling and power supply cables separated from each other.

Reposition the internal slide and tighten the screws that had been loosened previously.

## 6.3 Board description

**i** The board may appear different to that illustrated.

**i** Depending on the product version, the board may not be equipped with all functions.

### BOARD DESCRIPTION

Con- nector	Function	Notes
J1	Camera power supply (V <sub>out</sub> )	Depending on the power supply model the two connectors have different use. If powered in 12vdc connector A corresponds to polarity +, while connector B corresponds to polarity - . If powered in 24vac connectors A and B are equivalent and correspond to the voltage Vac.
J2	Heater power supply	
J3	Power supply for the board (V <sub>in</sub> )	
J4	Auxiliary output (V <sub>out</sub> )	Same voltage applied on J3
J5	Power supply connector /jumper	Jumper present only in ventilated models
J6	Fan power supply	

Tab. 1

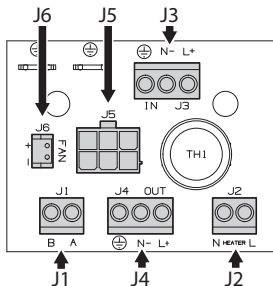


Fig. 3

**i** Nominal section of the cables used: from 0.2mm<sup>2</sup> (24AWG) up to 2.5mm<sup>2</sup> (13AWG).

## 6.4 Connecting the power supply

**!** CAUTION! The type of cable used must be compatible with the planned use. Comply with the national regulations in force on electrical installation.

**!** Connect the safety earth to the relative terminal of the power supply connector.

**!** Earth cable should be about 10mm longer than the other two, so that it will not be disconnected accidentally if pulled.

Insert the cables inside the housing using the cable glands. The cable glands are suitable for conductors with diameters of between 5mm and 10mm. The section of the cable inside the housing must be sufficiently long to allow connection. Suitably lock the cable glands.



## 6.5 Installation of the version with double filter for air renewal

**i** During installation pay attention to the orientation of the air inlet filter fins.

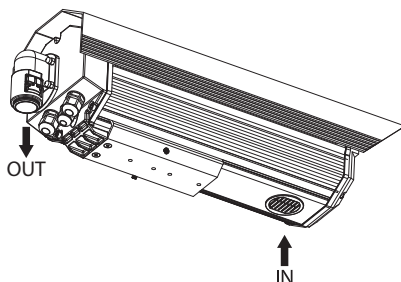


Fig. 4

To guarantee weatherproof protection, install the housing on the support following the inclination limits as shown in the picture.

Depending on the angle of inclination of the housing, the orientation of the filter fins must prevent water penetrating in case of rain:

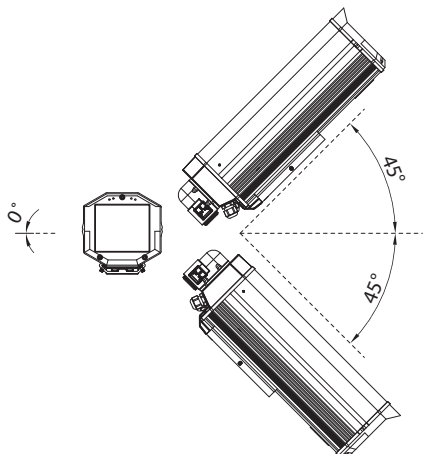


Fig. 5 Maximum tilt of the transversal axis: 0°.  
Maximum tilt of the longitudinal axis: ±45°.

## 6.6 Desiccant bag

Take the desiccant salt bag out of its pack and insert it into the product.

## 7 Accessories

**i** For further details on configuration and use, refer to the relative manual.

### 7.1 Heater

#### 7.1.1 Heater installation

At the end of installation, connect the wiring to the terminal (heater power supply, 6.3 Board description, page 6).

### 7.2 Camera power supply

#### 7.2.1 Camera power supply installation

**!** Pay attention to the voltage used to power the circuit. Depending on requirements use the correct power supply kit.

Usable power supplies:

- IN from 100Vac up to 240Vac, 50/60Hz - OUT 12Vdc, 1.25A
- IN 230Vac, 50Hz - OUT 24Vac, 50Hz, 400mA

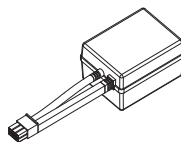


Fig. 6 Camera power supply.

After installation, connect the power supply to the connector (power supply connector, 6.3 Board description, page 6).

## 8 Maintenance and cleaning



Before doing any technical work on the device, disconnect the power supply.

### 8.1 Cleaning

#### 8.1.1 Cleaning the window and plastic parts



Avoid ethyl alcohol, solvents, hydrogenated hydrocarbide, strong acid and alkali. Such products may irreparably damage the surface.

We recommend using a soft cloth with neutral soap diluted with water or specific products to clean the lenses.

## 9 Information on disposal and recycling

The European Directive 2012/19/EU on Waste Electrical and Electronic Equipment (WEEE) mandates that these devices should not be disposed of in the normal flow of municipal solid waste, but they should be collected separately in order to optimize the recovery stream and recycling of the materials that they contain and to reduce the impact on human health and the environment due to the presence of potentially hazardous substances.



**The symbol of the crossed out bin is marked on all products to remember this.**

The waste may be delivered to appropriate collection centers, or may be delivered free of charge to the distributor where you purchased the equipment at the time of purchase of a new equivalent or without obligation to a new purchase for equipment with size smaller than 25cm (9.8in).

For more information on proper disposal of these devices, you can contact the responsible public service.

# 10 Technical data

## 10.1 General

Constructed from aluminium

Epoxypolyester powder painting, RAL9002 colour

Stainless steel external screws

## 10.2 Mechanical

Internal usable dimensions

- Empty version: 134x88mm (5.3x3.4in)
- Version with double or triple heater : 112x88mm (4.4x3.5in)

Internal usable length (without accessories)

- HEG37: 365mm (14.3in)
- HEG47: 450mm (18in)

Internal usable length (with accessories):

- HEG37: 273mm (10.7in)
- HEG47: 363mm (14in)

Cable glands: 3xM16

Extra clear glass window

- Dimensions (WxH): 94x80mm (3.7x3.1in)

Unit weight

- HEG37: 4.1kg (9lb)
- HEG47: 4.7kg (10.3lb)

## 10.3 Electrical

Supply voltage/Current consumption (version with heater, Ton 15°C±3°C (59°F ±5°F), Toff 22°C±3°C (72°F±5°F)):

- 12Vdc, 1.6A max
- 24Vac, 0.85A max, 50/60Hz
- 120Vac, 0.35A max, 50/60Hz
- 230Vac, 0.18A max, 50/60Hz

Supply voltage/Current consumption (version with double heater, Ton 15°C±3°C (59°F ±5°F), Toff 22°C±3°C (72°F±5°F)):

- 120Vac, 0.7A max, 50/60Hz
- 230Vac, 0.35A max, 50/60Hz

Supply voltage/Current consumption (version with triple heater, continuous duty fan , Ton 15°C±3°C (59°F ±5°F), Toff 22°C±3°C (72°F±5°F)):

- 120Vac, 1A max, 50/60Hz
- 230Vac, 0.52A max, 50/60Hz

Supply voltage/Current consumption (version with heater, blower and thermostat for models with double filter for air renewal, Ton 35°C±3°C (95°F±5°F), Toff 20°C±3°C (71°F±5°F)):

- 24Vac, 1A max, 50/60Hz
- 120Vac, 0.37A max, 50/60Hz
- 230Vac, 0.19A max, 50/60Hz

Camera power supply:

- IN from 100Vac up to 240Vac, 50/60Hz - OUT 12Vdc, 1.25A
- IN 230Vac, 50Hz - OUT 24Vac, 50Hz, 400mA

## 10.4 Environment

For indoors and outdoors installation

Operating temperature with heating: from -20°C (-4°F) up to +60°C (140°F)

Operating temperature with double heater: from -40°C (-40°F) up to +60°C (140°F)

Operating temperature with triple heater: from -50°C (-58°F) up to +60°C (140°F)

## 10.5 Certifications

Electrical safety (CE): EN60065, EN62368-1

Electromagnetic compatibility (CE): EN50130-4, EN61000-6-3

IP protection degree:

- EN60529, IP66/IP67 (with cable glands)
- EN60529, IP44 (with double filter for air renewal)

Salty fog resistance: to 1000 hours (ISO9227)

EAC certification

# 11 Technical drawings



The indicated measurements are expressed in millimetres.

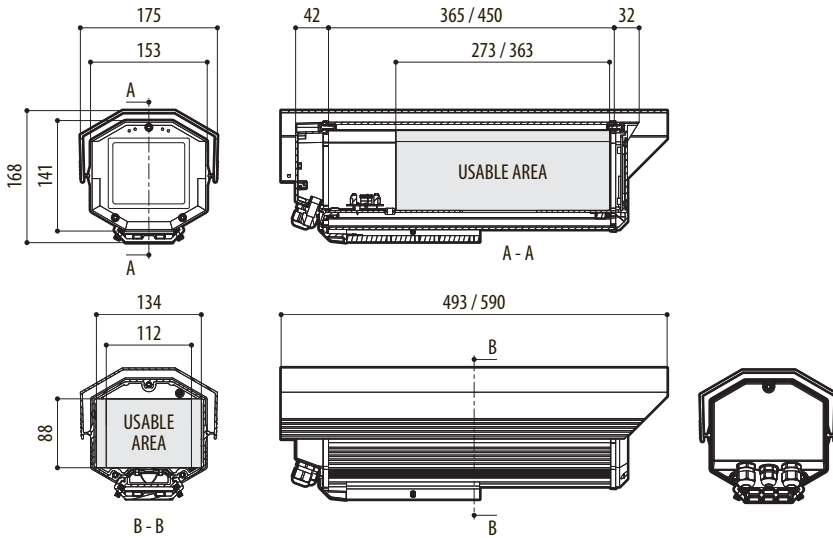


Fig. 7 HEG.



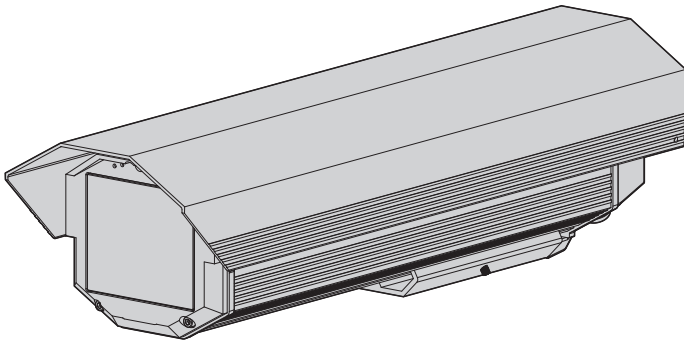
**Headquarters Italy** VIDEOTEC s.r.l.  
Via Friuli, 6 - I-36015 Schio (VI) - Italy  
Tel. +39 0445 697411 - Fax +39 0445 697414  
Email: [info@videotec.com](mailto:info@videotec.com)  
[www.videotec.com](http://www.videotec.com)

MNVCEG\_2222\_EN



# HEG

Custodia per telecamera di grandi dimensioni



# Sommario

<b>1 Informazioni sul presente manuale.....</b>	<b>3</b>
1.1 Convenzioni tipografiche .....	3
<b>2 Note sul copyright e informazioni sui marchi commerciali .....</b>	<b>3</b>
<b>3 Norme di sicurezza .....</b>	<b>3</b>
<b>4 Identificazione.....</b>	<b>4</b>
4.1 Descrizione e designazione del prodotto.....	4
4.2 Etichetta di marcatura del prodotto.....	4
<b>5 Preparazione del prodotto per l'utilizzo.....</b>	<b>4</b>
5.1 Precauzioni di sicurezza prima dell'utilizzo.....	4
5.2 Disimballaggio .....	4
5.3 Contenuto.....	4
5.4 Smaltimento in sicurezza dei materiali di imballaggio.....	4
5.5 Lavoro preparatorio prima dell'installazione .....	5
5.5.1 Fissaggio del supporto.....	5
<b>6 Installazione .....</b>	<b>5</b>
6.1 Apertura della custodia.....	5
6.2 Installazione della telecamera .....	5
6.3 Descrizione della scheda.....	6
6.4 Collegamento della linea di alimentazione .....	6
6.5 Installazione della versione con doppio filtro per ricambio dell'aria .....	7
6.6 Sacchetto disidratante .....	7
<b>7 Accessori .....</b>	<b>7</b>
7.1 Riscaldamento .....	7
7.1.1 Installazione del riscaldamento.....	7
7.2 Alimentatore per telecamera.....	7
7.2.1 Installazione dell'alimentatore per telecamera.....	7
<b>8 Manutenzione e pulizia .....</b>	<b>8</b>
8.1 Pulizia.....	8
8.1.1 Pulizia della finestra e delle parti in plastica .....	8
<b>9 Informazioni sullo smaltimento e il riciclo .....</b>	<b>8</b>
<b>10 Dati tecnici .....</b>	<b>9</b>
10.1 Generale .....	9
10.2 Meccanica.....	9
10.3 Elettrico .....	9
10.4 Ambiente .....	9
10.5 Certificazioni.....	9
<b>11 Disegni tecnici .....</b>	<b>10</b>

# 1 Informazioni sul presente manuale

Prima di installare e utilizzare questo prodotto leggere attentamente tutta la documentazione fornita. Tenere il manuale a portata di mano per consultazioni successive.

## 1.1 Convenzioni tipografiche



### **PERICOLO!**

**Pericolosità elevata.**

**Rischio di scosse elettriche. Prima di eseguire qualsiasi operazione assicurarsi di togliere tensione al prodotto, salvo diversa indicazione.**



### **ATTENZIONE!**

**Pericolosità media.**

**L'operazione è molto importante per il corretto funzionamento del sistema. Si prega di leggere attentamente la procedura indicata e di eseguirla secondo le modalità previste.**



### **INFO**

**Descrizione delle caratteristiche del sistema.**

**Si consiglia di leggere attentamente per comprendere le fasi successive.**

## 2 Note sul copyright e informazioni sui marchi commerciali

I nomi di prodotto o di aziende citati sono marchi commerciali o marchi commerciali registrati appartenenti alle rispettive società.

## 3 Norme di sicurezza



**ATTENZIONE! L'installazione e la manutenzione del dispositivo devono essere eseguite solo da personale tecnico specializzato.**

- Il produttore declina ogni responsabilità per eventuali danni derivanti da un uso improprio delle apparecchiature menzionate in questo manuale. Si riserva inoltre il diritto di modificarne il contenuto senza preavviso. Ogni cura è stata posta nella raccolta e nella verifica della documentazione contenuta in questo manuale. Il produttore, tuttavia, non può assumersi alcuna responsabilità derivante dall'utilizzo della stessa. Lo stesso dicasi per ogni persona o società coinvolta nella creazione e nella produzione di questo manuale.
- Prima di eseguire qualsiasi operazione assicurarsi di togliere tensione al prodotto.
- Non utilizzare cavi con segni di usura o invecchiamento.
- Non effettuare per nessun motivo alterazioni o collegamenti non previsti in questo manuale. L'uso di apparecchi non idonei può portare a gravi pericoli per la sicurezza del personale e dell'impianto.
- Utilizzare solo parti di ricambio originali. Pezzi di ricambio non originali potrebbero causare incendi, scariche elettriche o altri pericoli.
- Prima di procedere con l'installazione, controllare che il materiale fornito corrisponda alle specifiche richieste esaminando le etichette di marcatura ( 4.2 Etichetta di marcatura del prodotto, pagina 4).

## 4 Identificazione

### 4.1 Descrizione e designazione del prodotto

Robusta e spaziosa custodia in alluminio adatta ad alloggiare telecamere da 1/2", 1/3" e 1/4" con ottiche di vario genere.

Può essere utilizzata per una varietà di applicazioni, per il monitoraggio urbano e di autostrade.

Il montaggio e la regolazione della telecamera sono facilitati dalla possibilità di estrarre il corpo, lasciando in posizione di lavoro la slitta interna, per operarvi comodamente.

Può essere installata con dei pressaguaina che permettono, in sostituzione dei normali pressacavi, una facile esecuzione dei cablaggi nell'apposita scatola di appoggio.

É disponibile un'ampia gamma di accessori di montaggio che permette di soddisfare qualsiasi esigenza di installazione.

### 4.2 Etichetta di marcatura del prodotto

Vedere l'etichetta posta sul prodotto.

## 5 Preparazione del prodotto per l'utilizzo



**Qualsiasi intervento non espressamente approvato dal costruttore fa decadere la garanzia.**

## 5.1 Precauzioni di sicurezza prima dell'utilizzo



**ATTENZIONE!** L'impianto elettrico al quale è collegata l'unità deve essere dotato di un interruttore di protezione bipolare automatico da 15A max. La distanza minima tra i contatti dell'interruttore di protezione deve essere di 3mm. L'interruttore deve essere provvisto di guasto verso terra (differenziale) e la sovracorrente (magnetotermico).

## 5.2 Disimballaggio

Alla consegna del prodotto verificare che l'imballo sia integro e non presenti segni evidenti di cadute o abrasioni.

In caso di danni evidenti all'imballo contattare immediatamente il fornitore.

In caso di restituzione del prodotto malfunzionante è consigliato l'utilizzo dell'imballo originale per il trasporto.

Conservare l'imballo qualora fosse necessario inviare il prodotto in riparazione.

## 5.3 Contenuto

Controllare che il contenuto sia corrispondente alla lista del materiale sotto elencato:

- Custodia
- Dotazione per custodia:
  - Distanziali
  - Chiavi esagonali
  - Viteria
- Sacchetto disidratante
- Manuale di istruzioni


## 5.4 Smaltimento in sicurezza dei materiali di imballaggio

I materiali d'imballo sono costituiti interamente da materiale riciclabile. Sarà cura del tecnico installatore smaltirli secondo le modalità di raccolta differenziata o comunque secondo le norme vigenti nel Paese di utilizzo.



## 5.5 Lavoro preparatorio prima dell'installazione

### 5.5.1 Fissaggio del supporto

 Il prodotto deve essere fissato con mezzi adeguati. I mezzi di fissaggio devono garantire la tenuta meccanica applicando una forza pari almeno a 4 volte il peso complessivo dell'apparecchiatura.

## 6 Installazione

### 6.1 Apertura della custodia

Svitare le viti poste sul fondo posteriore e allentare i 2 grani posti sulla slitta esterna. Sfilare il corpo della custodia.

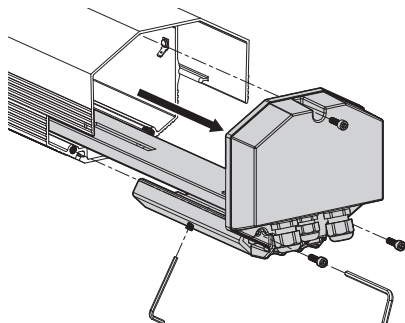



Fig. 1

 Al termine delle operazioni di installazione e cablaggio richiudere il prodotto.

### 6.2 Installazione della telecamera

 L'alimentazione può essere fornita dalla scheda in dotazione al prodotto. Accertarsi che i valori di tensione siano adeguati.

Aprire la custodia come descritto nel relativo capitolo (6.1 Apertura della custodia, pagina 5).

Fissare la telecamera con la vite da 1/4" (01). Per collocare nel modo corretto la telecamera e l'ottica, se necessario, utilizzare i distanziali in dotazione (02).

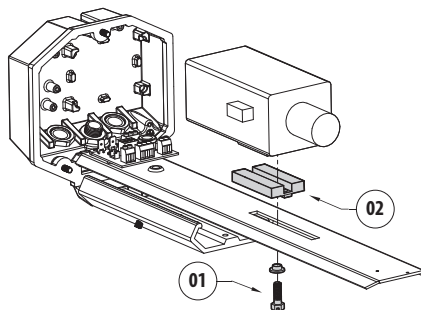


Fig. 2

Togliere la guaina di protezione dei conduttori e collegarli al morsetto (alimentazione della telecamera, 6.3 Descrizione della scheda, pagina 6).

I conduttori del cavo di alimentazione della telecamera devono essere fissati tra loro con una fascetta in prossimità del morsetto. Tenere separati i cavi di alimentazione da quelli di segnale.

Riposizionare la slitta interna serrando le viti precedentemente allentate.

## 6.3 Descrizione della scheda

**i** L'aspetto della scheda potrebbe differire da quello illustrato.

**i** La scheda, a seconda della versione del prodotto, potrebbe non essere dotata di tutte le funzionalità.

DESCRIZIONE DELLA SCHEDA		
Connettore	Funzione	Note
J1	Alimentazione della telecamera ( $V_{out}$ )	In base al modello di alimentazione i due connettori hanno uso differente. Se alimentata in 12Vdc il connettore A corrisponde alla polarità +, mentre il connettore B corrisponde alla polarità -. Se alimentata in 24Vac i connettori A e B sono equivalenti e corrispondono alla tensione Vac.
J2	Alimentazione del riscaldamento	
J3	Alimentazione della scheda ( $V_M$ )	
J4	Uscita ausiliaria ( $V_{out}$ )	Stessa tensione applicata su J3
J5	Connettore per alimentatore/ponticello	Ponticello presente solo nei modelli ventilati
J6	Alimentazione del ventilatore	

Tab. 1

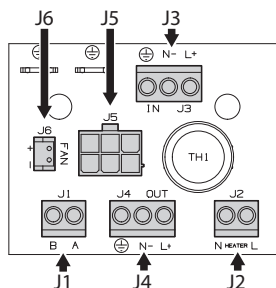


Fig. 3

**i** Sezione nominale dei cavi utilizzabili: da 0.2mm<sup>2</sup> (24AWG) fino a 2.5mm<sup>2</sup> (13AWG).

## 6.4 Collegamento della linea di alimentazione

**!** **ATTENZIONE!** La tipologia di cavo utilizzata deve essere compatibile con l'impiego previsto. Attenersi alle regole nazionali in vigore riguardanti le installazioni elettriche.

**!** Collegare la terra di sicurezza al relativo morsetto del connettore di alimentazione.

**!** Il cavo di terra deve essere più lungo degli altri due di circa 10mm per prevenirne il distacco accidentale a causa dello stiramento.

Introdurre i cavi all'interno della custodia attraverso i pressacavi. I pressacavi sono adatti per conduttori con diametro compreso tra 5mm e 10mm. Il tratto di cavo all'interno della custodia deve essere sufficientemente lungo da permettere il collegamento. Serrare opportunamente i pressacavi.

## 6.5 Installazione della versione con doppio filtro per ricambio dell'aria

**i** Durante l'installazione prestare attenzione all'orientamento delle alette del filtro di ingresso dell'aria.

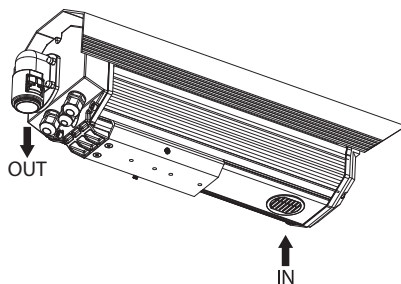


Fig. 4

Al fine di garantire il grado di protezione, installare la custodia al supporto rispettando i limiti di inclinazione riportati in figura.

A seconda dell'angolo di inclinazione della custodia, l'orientamento delle alette del filtro deve prevenire la penetrazione di acqua in caso di pioggia.

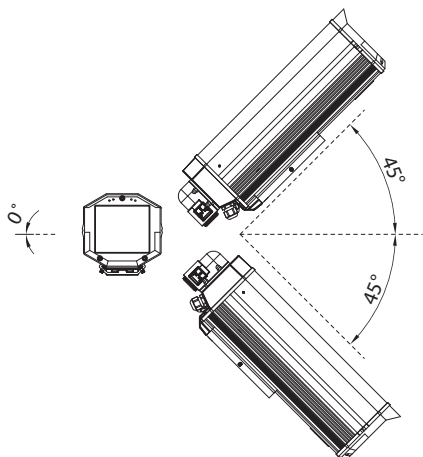


Fig. 5 Massima inclinazione dell'asse trasversale: 0°.  
Massima inclinazione dell'asse longitudinale: ±45°.

## 6.6 Sacchetto disidratante

Estrarre il sacchetto disidratante dalla confezione e inserirlo nel prodotto.

## 7 Accessori

**i** Per ulteriori dettagli sulla configurazione e l'utilizzo fare riferimento al manuale del relativo accessorio.

### 7.1 Riscaldamento

#### 7.1.1 Installazione del riscaldamento

Terminata l'installazione, collegare il cablaggio al morsetto (alimentazione del riscaldamento, 6.3 Descrizione della scheda, pagina 6).

### 7.2 Alimentatore per telecamera

#### 7.2.1 Installazione dell'alimentatore per telecamera

**!** Prestare attenzione al valore di tensione utilizzato per alimentare il circuito. A seconda delle esigenze utilizzare il kit di alimentazione corretto.

Alimentatori utilizzabili:

- IN da 100Vac fino a 240Vac, 50/60Hz - OUT 12Vdc, 1.25A
- IN 230Vac, 50Hz - OUT 24Vac, 50Hz, 400mA

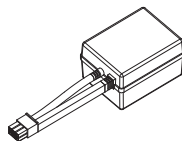


Fig. 6 Alimentatore per telecamera.

Terminata l'installazione, collegare l'alimentatore al connettore (connettore per alimentatore, 6.3 Descrizione della scheda, pagina 6).

## 8 Manutenzione e pulizia



**Prima di effettuare interventi tecnici sull'apparecchio togliere l'alimentazione elettrica.**

### 8.1 Pulizia

#### 8.1.1 Pulizia della finestra e delle parti in plastica



**Evitare alcool etilico, solventi, idrocarburi idrogenati, acidi forti e alcali. L'utilizzo di detti prodotti danneggia in modo irreparabile la superficie trattata.**

Si consiglia di utilizzare un panno morbido con sapone neutro diluito con acqua o prodotti specifici per la pulizia delle lenti degli occhiali.

## 9 Informazioni sullo smaltimento e il riciclo

La Direttiva Europea 2012/19/UE sui Rifiuti di Apparecchiature Elettriche ed Elettroniche (RAEE) prevede che questi apparecchi non debbano essere smaltiti nel normale flusso dei rifiuti solidi urbani, ma che vengano raccolti separatamente per ottimizzare il flusso di recupero e riciclaggio dei materiali che li compongono ed impedire potenziali danni per la salute e per l'ambiente dovuti alla presenza di sostanze potenzialmente pericolose.



**Il simbolo del bidone barrato è riportato su tutti i prodotti per ricordarlo.**

I rifiuti possono essere conferiti agli appositi centri di raccolta, oppure possono essere consegnati gratuitamente al distributore dove è stata acquistata l'apparecchiatura all'atto di acquisto di una nuova equivalente o senza obbligo di un acquisto nuovo per le apparecchiature di dimensioni minori di 25cm.

Per ulteriori informazioni sulla corretta dismissione di questi apparecchi ci si può rivolgere al servizio pubblico preposto.

# 10 Dati tecnici

## 10.1 Generale

Costruzione in alluminio

Verniciatura a polveri di epossipoliestere, colore RAL9002

Viteria esterna in acciaio inox

## 10.2 Meccanica

Dimensioni utili interne

- Versione vuota: 134x88mm
- Versione con doppio o triplo riscaldamento : 112x88mm

Lunghezza utile interna (senza accessori)

- HEG37: 365mm
- HEG47: 450mm

Lunghezza utile interna (con accessori):

- HEG37: 273mm
- HEG47: 363mm

Pressacavi: 3xM16

Finestra in vetro extrachiaro

- Dimensioni (WxH): 94x80mm

Peso unitario

- HEG37: 4.1kg
- HEG47: 4.7kg

## 10.3 Elettrico

Tensione di alimentazione/Corrente assorbita (versione con riscaldamento, Ton 15°C±3°C, Toff 22°C±3°C):

- 12Vdc, 1.6A max
- 24Vac, 0.85A max, 50/60Hz
- 120Vac, 0.35A max, 50/60Hz
- 230Vac, 0.18A max, 50/60Hz

Tensione di alimentazione/Corrente assorbita (versione con doppio riscaldamento, Ton 15°C±3°C, Toff 22°C±3°C):

- 120Vac, 0.7A max, 50/60Hz
- 230Vac, 0.35A max, 50/60Hz

Tensione di alimentazione/Corrente assorbita (versione con triplo riscaldamento, ventola a ciclo continuo , Ton 15°C±3°C, Toff 22°C±3°C):

- 120Vac, 1A max, 50/60Hz
- 230Vac, 0.52A max, 50/60Hz

Tensione di alimentazione/Corrente assorbita (versione con riscaldamento, ventilatore e termostato per modelli con doppio filtro per ricambio dell'aria, Ton 35°C±3°C, Toff 20°C±3°C):

- 24Vac, 1A max, 50/60Hz
- 120Vac, 0.37A max, 50/60Hz
- 230Vac, 0.19A max, 50/60Hz

Alimentatore per telecamera:

- IN da 100Vac fino a 240Vac, 50/60Hz - OUT 12Vdc, 1.25A
- IN 230Vac, 50Hz - OUT 24Vac, 50Hz, 400mA

## 10.4 Ambiente

Installazione per interni ed esterni

Temperatura d'esercizio con riscaldamento: da -20°C fino a +60°C

Temperatura d'esercizio con doppio riscaldamento: da -40°C fino a +60°C

Temperatura d'esercizio con triplo riscaldamento assistito da ventola: da -50°C fino a +60°C

## 10.5 Certificazioni

Sicurezza elettrica (CE): EN60065, EN62368-1

Compatibilità elettromagnetica (CE): EN50130-4, EN61000-6-3

Grado di protezione IP:

- EN60529, IP66/IP67 (con pressacavi)
- EN60529, IP44 (con doppio filtro per ricambio dell'aria)

Resistenza alla nebbia salina: fino a 1000 ore (ISO9227)

Certificazione EAC

# 11 Disegni tecnici



Le misure indicate sono espresse in millimetri.

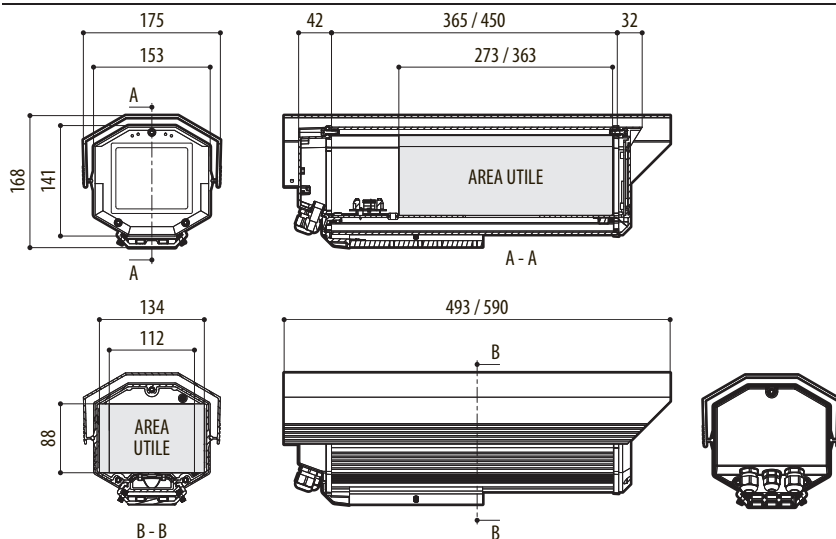


Fig. 7 HEG.

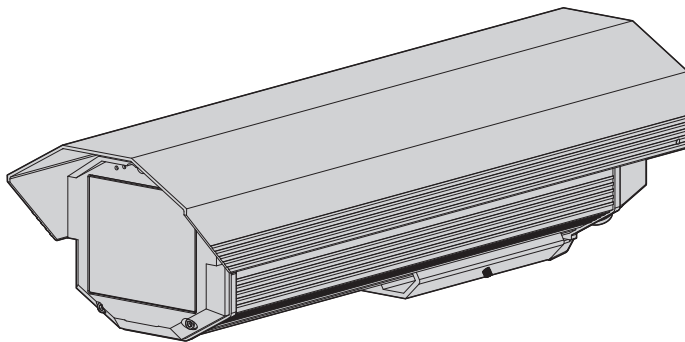


**Headquarters Italy** VIDEOTEC s.r.l.  
Via Friuli, 6 - I-36015 Schio (VI) - Italy  
Tel. +39 0445 697411 - Fax +39 0445 697414  
Email: [info@videotec.com](mailto:info@videotec.com)  
[www.videotec.com](http://www.videotec.com)

MNVCEG\_2222\_IT

# HEG

Caisson pour caméra de grandes dimensions



# Sommaire

<b>1 À propos de ce mode d'emploi.....</b>	<b>3</b>
1.1 Conventions typographiques.....	3
<b>2 Notes sur le copyright et informations sur les marques de commerce.....</b>	<b>3</b>
<b>3 Normes de sécurité .....</b>	<b>3</b>
<b>4 Identification .....</b>	<b>4</b>
4.1 Description et désignation du produit.....	4
4.2 Étiquette de marquage du produit.....	4
<b>5 Préparation du produit en vue de l'utilisation.....</b>	<b>4</b>
5.1 Précautions de sécurité avant l'utilisation .....	4
5.2 Déballage.....	4
5.3 Contenu .....	4
5.4 Élimination sans danger des matériaux d'emballage.....	4
5.5 Opérations à effectuer avant l'installation .....	5
5.5.1 Fixation du support.....	5
<b>6 Installation .....</b>	<b>5</b>
6.1 Ouverture du caisson.....	5
6.2 Installation de la caméra .....	5
6.3 Description de la carte.....	6
6.4 Connexion de la ligne d'alimentation .....	6
6.5 Installation de la version avec double filtre pour le changement d'air .....	7
6.6 Sachet déshydratant.....	7
<b>7 Accessoires.....</b>	<b>7</b>
7.1 Chauffage.....	7
7.1.1 Installation du chauffage.....	7
7.2 Alimentation pour caméra.....	7
7.2.1 Installation de l'alimentateur pour caméra .....	7
<b>8 Entretien et nettoyage.....</b>	<b>8</b>
8.1 Nettoyage .....	8
8.1.1 Nettoyage de la fenêtre et des parties en plastique.....	8
<b>9 Informations sur l'élimination et le recyclage.....</b>	<b>8</b>
<b>10 Données techniques .....</b>	<b>9</b>
10.1 Généralités.....	9
10.2 Mécanique.....	9
10.3 Électrique.....	9
10.4 Environnement.....	9
10.5 Certifications .....	9
<b>11 Dessins techniques.....</b>	<b>10</b>



# 1 À propos de ce mode d'emploi

Avant d'installer et d'utiliser ce produit, lire attentivement toute la documentation fournie. Garder le manuel à portée de main pour des consultations successives.

## 1.1 Conventions typographiques



### **DANGER!**

**Risque élevé.**

**Risque de choc électrique. Sauf indication contraire, sectionner l'alimentation avant de procéder à toute opération.**



### **ATTENTION!**

**Risque moyen.**

**Opération extrêmement importante en vue d'un fonctionnement correct du système. Lire avec attention les opérations indiquées et s'y conformer rigoureusement.**



### **REMARQUE**

**Description des caractéristiques du système.**

**Il est conseillé de procéder à une lecture attentive pour une meilleure compréhension des phases suivantes.**

## 2 Notes sur le copyright et informations sur les marques de commerce

Les noms de produit ou de sociétés cités sont des marques de commerce ou des marques de commerce enregistrées.

## 3 Normes de sécurité



**ATTENTION! L'installation et l'entretien du dispositif doivent être effectués exclusivement par un personnel technique qualifié.**

- Le fabricant décline toute responsabilité pour les dommages éventuels dus à une utilisation non appropriée des appareils mentionnés dans ce manuel. On réserve en outre le droit d'en modifier le contenu sans préavis. La documentation contenue dans ce manuel a été rassemblée et vérifiée avec le plus grand soin. Le fabricant, cependant, ne peut assumer aucune responsabilité dérivant de l'emploi de celle là. La même chose vaut pour chaque personne ou société impliquées dans la création et la production de ce manuel.
- Sectionner l'alimentation avant de procéder à toute opération.
- Ne pas utiliser de câbles usés ou endommagés.
- Ne procéder sous aucun prétexte à des modifications ou des connexions non prévues dans ce manuel. L'utilisation d'appareils non adéquats peut comporter des dangers graves pour la sécurité du personnel et de l'installation.
- Utiliser uniquement des pièces de rechange d'origine. Les pièces non d'origine peuvent être source d'incendies, de choc électrique ou autres.
- Avant de procéder à l'installation, contrôler que le matériel fourni correspond à la commande et examiner les étiquettes de marquage (4.2 Étiquette de marquage du produit, page 4).

## 4 Identification

### 4.1 Description et désignation du produit

Caisson robuste et spacieux en aluminium adapté pour loger des caméras de 1/2", 1/3" et 1/4" avec optiques de différent genre.

Il peut être utilisé pour une variété d'applications, pour la surveillance urbaine et autoroutières.

L'ouverture du caisson par extraction vers l'avant, permet de dégager complètement le rail de fixation de la caméra, facilitant la mise en place et les réglages de la caméra.

L'utilisation du boîtier et de ses gaines souples sécurise le passage des câbles et le rend plus esthétique.

Une vaste gamme d'accessoires de montage est disponible, permettant de solutionner tout problème d'installation.

### 4.2 Étiquette de marquage du produit

Voir l'étiquette positionné sur le produit.

## 5 Préparation du produit en vue de l'utilisation



**Toute modification non approuvée expressément par le fabricant entraînera l'annulation de la garantie.**

## 5.1 Précautions de sécurité avant l'utilisation



**ATTENTION! Le circuit électrique auquel l'unité est reliée doit être équipé d'un interrupteur de protection bipolaire automatique de 15A max. La distance minimale entre les de l'interrupteur de protection contacts doit être de 3mm. L'interrupteur doit être équipé de protection contre le courant de défaut vers la terre (différentiel) et le surintensité (magnétothermique).**

## 5.2 Déballage

Lors de la livraison du produit, vérifier que l'emballage est en bon état et l'absence de tout signe évident de chute ou d'abrasion.

En cas de dommages évidents, contacter immédiatement le fournisseur.

En cas de retour du produit défectueux, il est conseillé d'utiliser l'emballage original pour le transport.

Conserver l'emballage en cas de nécessité d'expédition du produit pour réparation.

## 5.3 Contenu

Contrôler que le contenu correspond à la liste matériel indiquée ci-dessous:


- Caisson
- Dotation pour caisson:
  - Entretoises
  - Clés hexagonales
  - Vis
- Sachet déshydratant
- Manuel d'instructions

## 5.4 Élimination sans danger des matériaux d'emballage

Le matériel d'emballage est entièrement composé de matériaux recyclables. Le technicien chargé de l'installation est tenu de l'éliminer conformément aux dispositions en matière de collecte sélective et selon les normes en vigueur dans le pays d'utilisation.

## 5.5 Opérations à effectuer avant l'installation

### 5.5.1 Fixation du support

 Le produit doit être fixé à l'aide des moyens appropriés. Les moyens de fixation doivent garantir l'étanchéité mécanique et appliquer une force égale au moins à 4 fois le poids total de l'appareil.

## 6 Installation

### 6.1 Ouverture du caisson

Desserrer les vis placées sur le panneau postérieur ainsi que les 2 vis sans tête de la glissière externe. Retirer le corps du caisson.

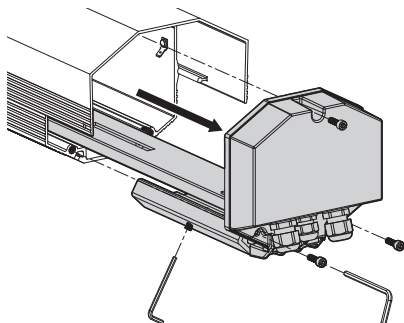



Fig. 1

 Au terme des opérations d'installation et de câblage, refermer le produit.

### 6.2 Installation de la caméra

 L'alimentation peut être dotée de la carte fournie avec le produit. S'assurer que les valeurs de tension soient appropriées.

Ouvrir le caisson selon la description dans le chapitre correspondant (6.1 Ouverture du caisson, page 5).

Fixer la caméra avec la vis de 1/4" (01). Pour installer correctement caméra et optique, si nécessaire, utiliser les entretoises fournies. (02).

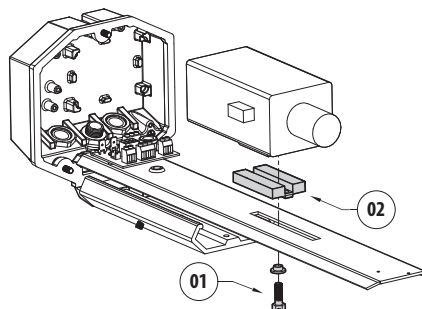


Fig. 2

Enlever la gaine de protection des conducteurs et les brancher à la borne (alimentation de la caméra, 6.3 Description de la carte, page 6).

Les conducteurs du câble d'alimentation de la caméra doivent être fixés entre eux avec une collier en proximité de la borne. Garder les câbles d'alimentation séparés de ceux de signal.

Replacer la glissière interne en serrant les vis précédemment desserrées.

## 6.3 Description de la carte

**i** L'aspect de la carte pourrait être différent de celui qui est illustré.

**i** La carte, selon la version du produit, pourrait ne pas être munie de toutes les fonctions.

### DESCRIPTION DE LA CARTE

Connecteur	Fonction	Remarques
J1	Alimentation de la caméra ( $V_{out}$ )	Selon le modèle d'alimentation, les deux connecteurs ont une utilisation différente. Lorsqu'il est alimenté en 12vdc, le connecteur A correspond à la polarité +, tandis que le connecteur B correspond à la polarité -. Lorsqu'il est alimenté en 24vac, les connecteurs A et B sont équivalents et correspondent à la tension Vac.
J2	Alimentation du chauffage	
J3	Alimentation de la carte ( $V_{in}$ )	
J4	Sortie auxiliaire ( $V_{out}$ )	Même tension appliquée sur J3
J5	Connecteur pour alimentation/barrette	Cavalier présent uniquement dans les modèles ventilés
J6	Alimentation du ventilateur	

Tab. 1

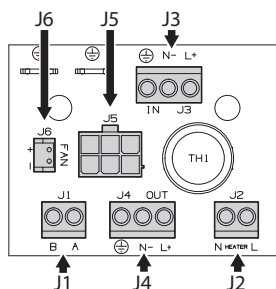


Fig. 3

**i** Section nominale des câbles utilisés: de  $0.2\text{mm}^2$  (24AWG) jusqu'à  $2.5\text{mm}^2$  (13AWG).

## 6.4 Connexion de la ligne d'alimentation

**!** ATTENTION! Le type de câble utilisé doit être compatible avec l'usage prévu. Respectez les règles nationales en vigueur en matière d'installations électriques.

**!** Brancher la terre de sécurité à la borne correspondante du connecteur d'alimentation.

**!** Le câble de terre doit être plus long des deux autres d'environ 10mm pour éviter tout détachement accidentel.

Introduisez les câbles dans le caisson via les presse-étoupes. Les presse-câbles sont prévus pour des conducteurs avec un diamètre compris entre 5mm et 10mm. La partie de câble à l'intérieur de la gaine doit être suffisamment long pour permettre le branchement. Serrer opportunément les presse-étoupes.

## 6.5 Installation de la version avec double filtre pour le changement d'air

**i** Durant l'installation prêter l'installation à l'orientation des ailettes du filtre d'entrée de l'air.

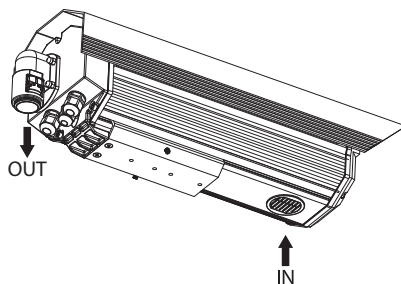


Fig. 4

Pour garantir un degré de protection, installer le caisson au support en respectant les limites d'inclinaison selon la figure.

Selon l'angle d'inclinaison de la gaine, l'orientation des ailettes du filtre doit empêcher à l'eau de pénétrer en cas de pluie.

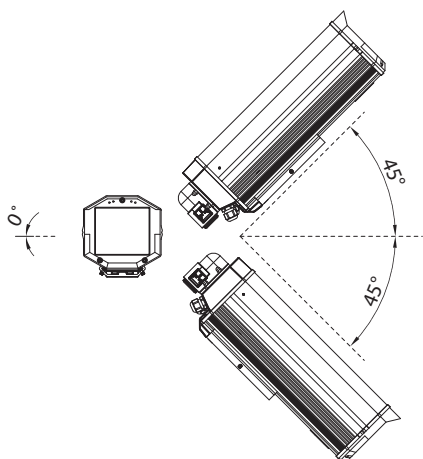


Fig. 5 Inclinaison maximale de l'axe transversal: 0°.  
Inclinaison maximale de l'axe longitudinal: ±45°.

## 6.6 Sachet déshydratant

Prenez le sachet de sel desséchant de son emballage et le placer dans le produit.

## 7 Accessoires

**i** Pour de plus amples informations sur la configuration et l'utilisation, consulter le manuel de l'accessoire correspondant.

### 7.1 Chauffage

#### 7.1.1 Installation du chauffage

Après l'installation, raccorder les câbles à la borne. (alimentation du chauffage, 6.3 Description de la carte, page 6).

### 7.2 Alimentation pour caméra

#### 7.2.1 Installation de l'alimentateur pour caméra

**!** Il faut faire attention au valeur de tension utilisée en alimentant le circuit. Selon les exigences utiliser le kit d'alimentation approprié.

Alimentateurs utilisables:

- IN de 100Vac jusqu'à 240Vac, 50/60Hz - OUT 12Vdc, 1.25A
- IN 230Vac, 50Hz - OUT 24Vac, 50Hz, 400mA

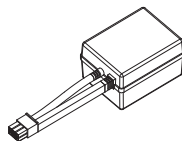


Fig. 6 Alimentation pour caméra.

Une fois l'installation terminée, branchez l'alimentateur au connecteur (connecteur pour alimentation, 6.3 Description de la carte, page 6).

## 8 Entretien et nettoyage



**Sectionner l'alimentation électrique avant toute intervention technique sur l'appareil.**

### 8.1 Nettoyage

#### 8.1.1 Nettoyage de la fenêtre et des parties en plastique



**On doit éviter alcool éthylique, solvants, hydrocarbures hydro-génés, acides forts et alcali. L'emploi de ce type de produits abîme d'une façon irréparable la surface traitée.**

Il est conseillé d'utiliser un chiffon souple avec des savons neutres dilués avec de l'eau ou des produits spécifiques pour le nettoyage des verres des lunettes.

## 9 Informations sur l'élimination et le recyclage

La Directive Européenne 2012/19/UE sur les déchets d'équipements électriques et électroniques (DEEE) exige que ces dispositifs ne doivent pas être éliminés dans le flux normal de déchets solides municipaux, mais ils doivent être collectés séparément afin d'optimiser le flux de récupération et de recyclage des matériaux qu'ils contiennent et pour réduire l'impact sur la santé humaine et l'environnement en raison de la présence de substances potentiellement dangereuses.



**Le symbole de la poubelle sur roues barrée d'une croix figure sur tous les produits pour le rappeler.**

Les déchets peuvent être livrés aux centres de collecte appropriés ou peuvent être livrés gratuitement au distributeur où vous avez acheté l'équipement, au moment de l'achat d'un nouvel dispositif équivalent ou sans obligation d'achat pour un équipement de taille inférieure de 25cm.

Pour plus d'informations sur l'élimination correcte de ces dispositifs, vous pouvez contacter le service public responsable.

# 10 Données techniques

## 10.1 Généralités

Construction en aluminium

Vernissage avec poudres époxy polyester, couleur RAL9002

Visserie extérieure en acier inox

## 10.2 Mécanique

Surface intérieure utile

- Version vide: 134x88mm
- Version avec double ou triple chauffage : 112x88mm

Longueur intérieure utile (sans accessoires)

- HEG37: 365mm
- HEG47: 450mm

Longueur intérieure utile (avec accessoires):

- HEG37: 273mm
- HEG47: 363mm

Presse-étoupes: 3xM16

Fenêtre en verre extra-clair

- Dimensions (WxH): 94x80mm

Poids net

- HEG37: 4.1kg
- HEG47: 4.7kg

## 10.3 Électrique

Tension d'alimentation/Courant absorbé (version avec chauffage, Ton 15°C±3°C, Toff 22°C±3°C):

- 12Vdc, 1.6A max
- 24Vac, 0.85A max, 50/60Hz
- 120Vac, 0.35A max, 50/60Hz
- 230Vac, 0.18A max, 50/60Hz

Tension d'alimentation/Courant absorbé (version avec double chauffage, Ton 15°C±3°C, Toff 22°C±3°C):

- 120Vac, 0.7A max, 50/60Hz
- 230Vac, 0.35A max, 50/60Hz

Tension d'alimentation/Courant absorbé (version avec triple chauffage, ventilateur à cycle continu , Ton 15°C±3°C, Toff 22°C±3°C):

- 120Vac, 1A max, 50/60Hz
- 230Vac, 0.52A max, 50/60Hz

Tension d'alimentation/Courant absorbé (version avec chauffage, ventilateur et thermostat avec double filtre pour le renouvellement de l'air, Ton 35°C±3°C, Toff 20°C±3°C):

- 24Vac, 1A max, 50/60Hz
- 120Vac, 0.37A max, 50/60Hz
- 230Vac, 0.19A max, 50/60Hz

Alimentation pour caméra:

- IN de 100Vac jusqu'à 240Vac, 50/60Hz - OUT 12Vdc, 1.25A
- IN 230Vac, 50Hz - OUT 24Vac, 50Hz, 400mA

## 10.4 Environnement

Installation d'intérieur et d'extérieur

Température de fonctionnement avec chauffage: de -20°C jusqu'à +60°C

Température d'exercice avec double chauffage: de -40°C jusqu'à +60°C

Température d'exercice avec triple chauffage assisté par ventilateur: de -50°C jusqu'à +60°C

## 10.5 Certifications

Sécurité électrique (CE): EN60065, EN62368-1

Compatibilité électromagnétique (CE): EN50130-4, EN61000-6-3

Degré de protection IP:

- EN60529, IP66/IP67 (avec presse-étoupes)
- EN60529, IP44 (avec double filtre pour le changement d'air)

Résistant à la brume saline: jusqu'à 1000 heures (ISO9227)

Certification EAC

# 11 Dessins techniques



Les tailles indiquées sont en millimètres.

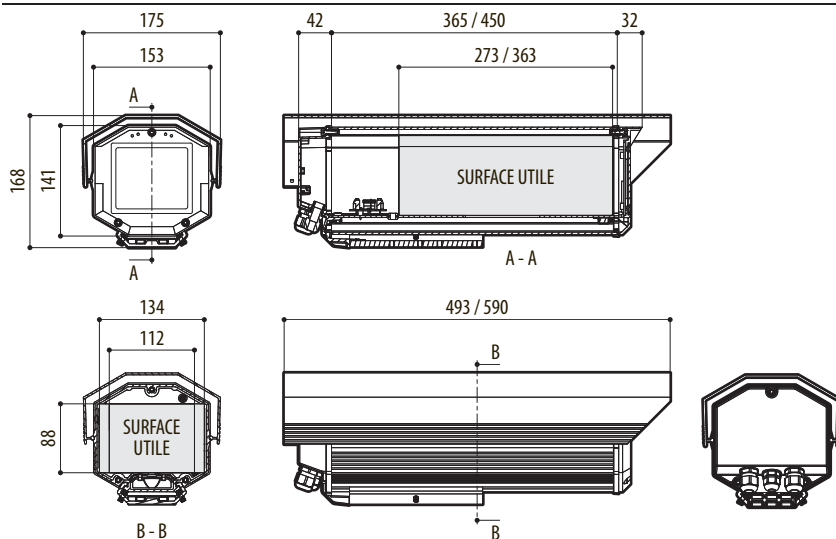


Fig. 7 HEG.



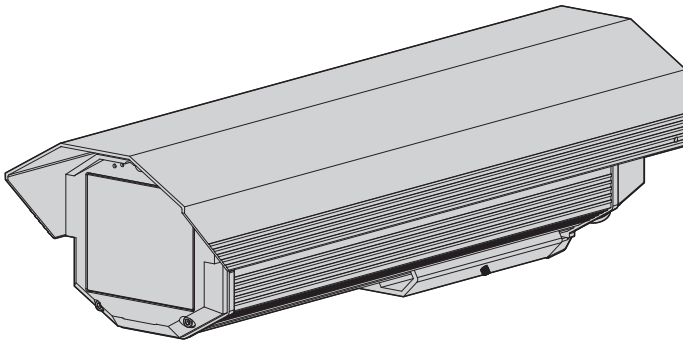
**Headquarters Italy** VIDEOTEC s.r.l.  
Via Friuli, 6 - I-36015 Schio (VI) - Italy  
Tel. +39 0445 697411 - Fax +39 0445 697414  
Email: [info@videotec.com](mailto:info@videotec.com)  
[www.videotec.com](http://www.videotec.com)

MNVCEG\_2222\_FR



# HEG

Grosses Kameragehäuse



# Inhaltsverzeichnis

<b>1 Allgemeines</b> .....	<b>3</b>
1.1 Schreibweisen.....	3
<b>2 Anmerkungen zum Copyright und Informationen zu den Handelsmarken</b> .....	<b>3</b>
<b>3 Sicherheitsnormen</b> .....	<b>3</b>
<b>4 Identifizierung</b> .....	<b>4</b>
4.1 Beschreibung und Bezeichnung des Produktes.....	4
4.2 Schildchen mit Produktkennzeichnung.....	4
<b>5 Vorbereitung des Produktes auf den Gebrauch</b> .....	<b>4</b>
5.1 Sicherheitsvorkehrungen vor dem Gebrauch.....	4
5.2 Entfernen der Verpackung .....	4
5.3 Inhalt.....	4
5.4 Sichere Entsorgung der Verpackungsmaterialien .....	4
5.5 Auf die Installation vorbereitende Tätigkeiten.....	5
5.5.1 Befestigung der Halterung.....	5
<b>6 Installation</b> .....	<b>5</b>
6.1 Öffnen des Gehäuses.....	5
6.2 Installation der Kamera.....	5
6.3 Beschreibung der Platine.....	6
6.4 Anschluss der Stromversorgung .....	6
6.5 Installation der Version mit Doppelfilter für den Luftaustausch.....	7
6.6 Trockenmittelbeutel .....	7
<b>7 Zubehör</b> .....	<b>7</b>
7.1 Heizung .....	7
7.1.1 Installation der Heizung .....	7
7.2 Kameranetzteil .....	7
7.2.1 Installation des Netzteil für Kamera.....	7
<b>8 Wartung und Reinigung</b> .....	<b>8</b>
8.1 Reinigung.....	8
8.1.1 Reinigung des Fensters und der Kunststoffteile .....	8
<b>9 Informationen bezüglich Entsorgung und Recycling</b> .....	<b>8</b>
<b>10 Technische Daten</b> .....	<b>9</b>
10.1 Allgemeines .....	9
10.2 Mechanik.....	9
10.3 Elektrik.....	9
10.4 Umgebung .....	9
10.5 Zertifizierungen.....	9
<b>11 Technische Zeichnungen</b> .....	<b>10</b>

# 1 Allgemeines

Vor der Installation und Anwendung dieses Produkts ist die gesamte mitgelieferte Dokumentation aufmerksam zu lesen. Zum späteren Nachschlagen das Handbuch in Reichweite aufbewahren.

## 1.1 Schreibweisen



### **GEFAHR!**

**Erhöhte Gefährdung. Stromschlaggefahr. Falls nichts anderes angegeben, unterbrechen Sie die Stromversorgung, bevor die beschriebenen Arbeiten durchgeführt werden.**



### **ACHTUNG!**

**Mittlere Gefährdung. Der genannte Vorgang hat große Bedeutung für den einwandfreien Betrieb des Systems. Es wird gebeten, sich die Verfahrensweise durchzulesen und zu befolgen.**



### **ANMERKUNG**

**Beschreibung der Systemmerkmale. Eine sorgfältige Lektüre wird empfohlen, um das Verständnis der folgenden Phasen zu gewährleisten.**

## 2 Anmerkungen zum Copyright und Informationen zu den Handelsmarken

Die angeführten Produkt- oder Firmennamen sind Handelsmarken oder eingetragene Handelsmarken.

# 3 Sicherheitsnormen



**ACHTUNG! Die Installation und Wartung der Vorrichtung ist technischen Fachleuten vorbehalten.**

- Der Hersteller lehnt jede Haftung für eventuelle Schäden ab, die aufgrund unsachgemäßer Anwendung der in diesem Handbuch erwähnten Geräte entstanden ist. Ferner behält er sich das Recht vor, den Inhalt ohne Vorkündigung abzuändern. Die Dokumentation in diesem Handbuch wurde sorgfältig ausgeführt und überprüft. Der Hersteller kann dennoch keine Haftung für die Verwendung übernehmen. Dasselbe gilt für jede Person oder Gesellschaft, die bei der Schaffung oder Produktion von diesem Handbuch miteinbezogen ist.
- Unterbrechen Sie die Stromversorgung, bevor die beschriebenen Arbeiten durchgeführt werden.
- Es dürfen keine Kabel mit Verschleiß- oder Alterungsspuren verwendet werden.
- Unter keinen Umständen dürfen Veränderungen oder Anschlüsse vorgenommen werden, die in diesem Handbuch nicht genannt sind. Der Gebrauch ungeeigneten Geräts kann die Sicherheit des Personals und der Anlage schwer gefährden.
- Es dürfen nur Original-Ersatzteile verwendet werden. Nicht originale Ersatzteile können zu Bränden, elektrischen Entladungen oder anderen Gefahren führen.
- Vor der Installation ist anhand des Kennzeichnungsschildes nachzuprüfen, ob das gelieferte Material die gewünschten Eigenschaften (4.2 Schildchen mit Produktkennzeichnung, Seite 4).

## 4 Identifizierung

### 4.1 Beschreibung und Bezeichnung des Produktes

Robustes, geräumiges Aluminiumgehäuse für die Aufnahme von Kameras der Typen 1/2", 1/3" und 1/4" sowie von verschiedenartigen Optiken.

Es kann für eine Vielzahl von Anwendungen im Rahmen der Stadt- und Autobahnüberwachung eingesetzt werden.

Montage und Einstellung der Videokamera werden erleichtert durch die Möglichkeit, den Korpus zu entnehmen. Am inneren Schlitten, der dadurch in Arbeitsposition leicht zugänglich ist, kann dann bequem gearbeitet werden.

Es läßt sich mit Kabelschutzhülsen installieren, die anstelle der normalen Kabelverschraubungen die Verkabelung im Auflegekasten erleichtern.

Eine große Auswahl an Montagezubehör ist lieferbar, um allen Installationanforderungen zu entsprechen.

### 4.2 Schildchen mit Produktkennzeichnung

Siehe das Label auf dem Produkt.

## 5 Vorbereitung des Produktes auf den Gebrauch



**Jede vom Hersteller nicht ausdrücklich genehmigte Veränderung führt zum Verfall der Gewährleistungsrechte.**

## 5.1 Sicherheitsvorkehrungen vor dem Gebrauch



**ACHTUNG! Die elektrische Anlage, an der die Einheit angeschlossen ist, muss mit einem automatischen zweipoligen Schutzschalter 15A max ausgestattet sein. Zwischen den Schutzschalter Kontakten muss mindestens ein Abstand von 3mm vorhanden sein. Der Schalter muss eine Schutzeinrichtung gegen Erde Fehlerstrom (Differenzial) und gegen Überstrom haben (magnetothermisch).**

## 5.2 Entfernen der Verpackung

Bei der Lieferung des Produktes ist zu prüfen, ob die Verpackung intakt ist oder offensichtliche Anzeichen von Stürzen oder Abrieb aufweist.

Bei offensichtlichen Schadensspuren an der Verpackung muss umgehend der Lieferant verständigt werden.

Im Falle der Rückgabe des nicht korrekt funktionierenden Produktes empfiehlt sich die Verwendung der Originalverpackung für den Transport.

Bewahren Sie die Verpackung auf für den Fall, dass das Produkt zur Reparatur eingesendet werden muss.

## 5.3 Inhalt

Prüfen Sie, ob der Inhalt mit der nachstehenden Materialliste übereinstimmt:

- Gehäuse
- Innensechskantschlüssel:
  - Abstandsstücke
  - Sechskantschlüssel
  - Schrauben
- Trockenmittelbeutel
- Bedienungsanleitung

## 5.4 Sichere Entsorgung der Verpackungsmaterialien

Die Verpackungsmaterialien sind vollständig wiederverwertbar. Es ist Sache des Installationstechnikers, sie getrennt, auf jeden Fall aber nach den geltenden Vorschriften des Anwendungslandes zu entsorgen.

## 5.5 Auf die Installation vorbereitende Tätigkeiten

### 5.5.1 Befestigung der Halterung



Das Produkt muss mit geeigneten Mitteln befestigt werden. Die Befestigungsmittel müssen die mechanische Festigkeit beim Anlegen von mindestens dem 4-fachen Gesamtgewicht des Gerätes garantieren.

## 6 Installation

### 6.1 Öffnen des Gehäuses

Werden die Schrauben aus der hinteren Abdeckplatte entfernt und die 2 Gewindestifte auf dem externen Schlitten gelockert. Den Gehäusekorpus herausziehen.

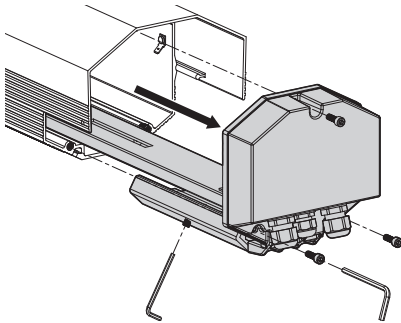


Abb. 1



Nach Beendigung der Installation und der Verkabelung das Produkt wieder schließen.

### 6.2 Installation der Kamera



Die Stromversorgung muss über die Karte erfolgen, die im Lieferumfang des Geräts enthalten ist. Prüfen, dass die Spannungswerte angemessen sind.

Das Gehäuse nach der Erläuterung im zugehörigen Kapitel öffnen (6.1 Öffnen des Gehäuses, Seite 5).

Befestigen Sie die Kamera mit der 1/4"-Schraube (01). Falls erforderlich, kommen die mitgelieferten Distanzstücke zum Einsatz, um Kamera und Optik korrekt unterzubringen. (02).

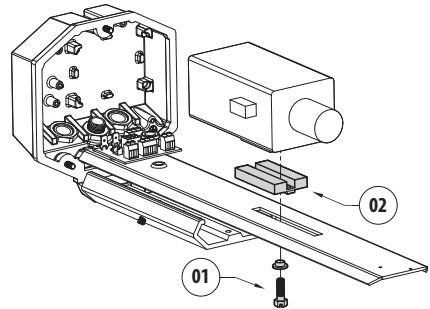


Abb. 2

Die Schutzummantelung der Leiter entfernen und die Leiter an die Klemme anschließen (Kameraversorgung, 6.3 Beschreibung der Platine, Seite 6).

Die Leiter des Kabels für die Versorgung der Kamera müssen in Klemmennähe fest miteinander mit einem Kabelbinder verbunden werden. Die Versorgungskabel von den Signalkabeln getrennt halten.

Den internen Schlitten wieder an Ort und Stelle bringen und die zuvor gelockerten Schrauben festziehen.

## 6.3 Beschreibung der Platine

**i** Die Abbildung kann von der tatsächlichen Karte abweichen.

**i** Je nach Geräteausführung verfügt die Karte möglicherweise nicht über alle Funktionen.

### BESCHREIBUNG DER PLATINE

Verbin-der	Funktion	Anmerkungen
J1	Kameraversorgung ( $V_{out}$ )	Afhankelijk van het model van de voedingseenheid hebben de twee connectoren een verschillend gebruik. Indien gevoed in 12 vdc-connector A overeenkomt met polariteit +, terwijl connector B overeenkomt met polariteit - . Als de stekkers A en B worden gevoed via 24 vac, zijn ze gelijkwaardig en komen ze overeen met de spanning Vac.
J2	Heizungsversorgung	
J3	Platinenversorgung ( $V_{in}$ )	
J4	Hilfsausgang ( $V_{out}$ )	Dezelfde spanning toegepast op J3
J5	Verbinder für Netzteil/Überbrückung	Jumper alleen aanwezig in geventileerde modellen
J6	Stromversorgung des Lüfters	

Tab. 1

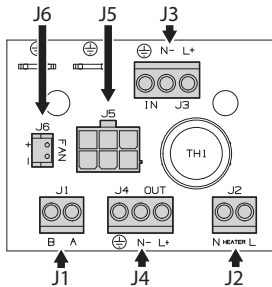


Abb. 3

**i** Nennquerschnitt der verwendeten Kabel: von  $0.2\text{mm}^2$  (24AWG) bis zu  $2.5\text{mm}^2$  (13AWG).

## 6.4 Anschluss der Stromversorgung

**!** ACHTUNG! Der verwendete Kabeltyp muss mit dem vorgesehenen Einsatz kompatibel sein. An die geltenden nationalen Vorschriften in Bezug auf elektrische Installationen halten.

**!** Den Erdungsschutzleiter an die zugehörige Stromversorgungsklemme anschließen.

**!** Das Erdungskabel muss um etwa 10mm länger sein, als die anderen beiden Kabel, um das ungewollte Lösen durch Ziehen des Kabels zu verhindern.

Die Kabel in das Gehäuse mittels der Kabeldurchführungen einführen. Die Kabelverschraubungen eignen sich für Leiter mit Durchmesser zwischen 5mm und 10mm. Der Kabelabschnitt im Gehäuse muss ausreichend lang sein, damit der Anschluss möglich ist. Ziehen Sie die Kabelverschraubungen in geeigneter Weise fest.

## 6.5 Installation der Version mit Doppelfilter für den Luftaustausch

**i** Während der Installation auf die Ausrichtung der Luftklappen am Lufteinlassfilter achten.

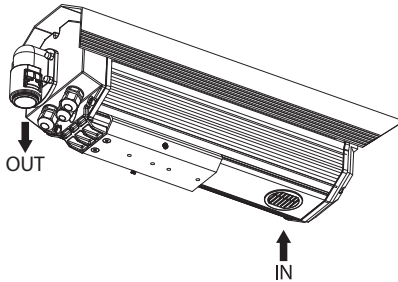


Abb. 4

Das Gehäuse auf der Halterung gemäß den Neigungsbegrenzungen des Bildes installieren, um den Schutzgrad zu garantieren.

Je nach Neigungswinkel des Gehäuses müssen die Luftklappen am Filter so ausgerichtet sein, dass bei Regen kein Wasser eindringen kann.

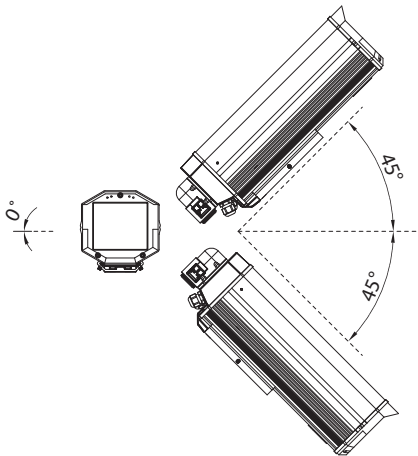


Abb. 5 Maximale Neigung der Querachse: 0°.  
Maximale Neigung der Längsachse:  $\pm 45^\circ$ .

## 6.6 Trockenmittelbeutel

Nehmen Sie den Trockenmittel- Salzbeutel aus seiner Verpackung und setzen Sie ihn in der Produkt.

## 7 Zubehör

**i** Für weitere Details zur Konfiguration und zum Gebrauch beachten Sie bitte das Handbuch des entsprechenden Geräts.

### 7.1 Heizung

#### 7.1.1 Installation der Heizung

Am Ende der Montage die Verkabelung an die Klemme verbinden (Heizungsversorgung, 6.3 Beschreibung der Platine, Seite 6).

### 7.2 Kameranetzteil

#### 7.2.1 Installation des Netzteil für Kamera

**!** Wenn der Schaltkreis gespeist wird, muß auf Versorgungsspannungswert geachtet werden. Verwenden Sie das für den Einzelfall geeignete Netzgerät.

Verwendbare Netzteile:

- IN von 100Vac bis zu 240Vac, 50/60Hz - OUT 12Vdc, 1.25A
- IN 230Vac, 50Hz - OUT 24Vac, 50Hz, 400mA

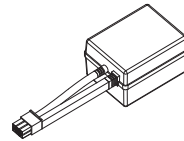


Abb. 6 Kameranetzteil.

Nach Beendigung der Installation das Netzteil an den Steckverbinder anschließen (Verbinder für Netzteil, 6.3 Beschreibung der Platine, Seite 6).

## 8 Wartung und Reinigung



**Vor technischen Eingriffen am Gerät muss die Stromversorgung unterbrochen werden.**

### 8.1 Reinigung

#### 8.1.1 Reinigung des Fensters und der Kunststoffteile



**Zu vermeiden sind Äthylalkohol, Lösungsmittel, hydrierte Kohlenwasserstoffe, starke Säuren und alkalische Lösungen. Diese Produkte können die behandelte Oberfläche beschädigen.**

Es wird empfohlen, ein weiches Tuch und neutrale mit Wasser verdünnte Seife oder ein spezifisches Reinigungsmittel für Brillengläser zu verwenden.

## 9 Informationen bezüglich Entsorgung und Recycling

Die EU-Richtlinie 2012/19/EU über Elektro- und Elektronik-Altgeräte (WEEE) verpflichtet, dass diese Geräte nicht zusammenn mit festen Haushaltsabfällen entsorgt werden sollten. Diese besonderen Abfällen müssen separat gesammelt werden, um den Rückgewinnungsstrom und das Recycling der darin enthaltenen Materialien zu optimieren, sowie zur Minderung der Einwirkung auf die menschliche Gesundheit und Umwelt aufgrund des Vorhandenseins von potentiell gefährlichen Stoffen.



**Das Symbol des gekreuzten Müllbehälters ist auf allen Produkten markiert, um sich daran zu erinnern.**

Die Abfälle dürfen an die ausgewiesenen Müllsammelstellen gebracht werden. Andernfalls darf man es kostenlos an den Vertragshändler bringen, bei dem das Gerät gekauft wurde. Das kann beim Einkauf von neuen gleichartigen Produkten passieren oder auch ohne Verpflichtung eines Neukaufes, falls die Größe des Gerätes kleiner als 25 cm ist.

Mehr Informationen über die korrekte Entsorgung dieser Geräte erhalten Sie bei der entsprechenden Behörde.



# 10 Technische Daten

## 10.1 Allgemeines

Aus Aluminium

Pulverlackierung mit Epoxypolyester, Farbe RAL9002

Externe Schrauben aus rostfreiem Stahl

## 10.2 Mechanik

Innere Nutzabmessungen

- Leere Version: 134x88mm
- Version mit Doppel oder Dreifacheheizung : 112x88mm

Innere Nutzlänge (ohne Zubehör)

- HEG37: 365mm
- HEG47: 450mm

Innere Nutzlänge (mit Zubehör):

- HEG37: 273mm
- HEG47: 363mm

Kabelverschraubungen: 3xM16

Fenster Extraklarglas

- Abmessungen (WxH): 94x80mm

Einheitsgewicht

- HEG37: 4.1kg
- HEG47: 4.7kg

## 10.3 Elektrik

Versorgungsspannung/Stromaufnahme (Ausführung mit Heizung, Ton 15°C±3°C, Toff 22°C±3°C):

- 12Vdc, 1.6A max
- 24Vac, 0.85A max, 50/60Hz
- 120Vac, 0.35A max, 50/60Hz
- 230Vac, 0.18A max, 50/60Hz

Versorgungsspannung/Stromaufnahme (Ausführung mit Doppelheizung, Ton 15°C±3°C, Toff 22°C±3°C):

- 120Vac, 0.7A max, 50/60Hz
- 230Vac, 0.35A max, 50/60Hz

Versorgungsspannung/Stromaufnahme (Ausführung mit Dreifacheheizung, Lüfter im Dauerbetrieb, Ton 15°C±3°C, Toff 22°C±3°C):

- 120Vac, 1A max, 50/60Hz
- 230Vac, 0.52A max, 50/60Hz

Versorgungsspannung/Stromaufnahme (Version mit Heizung, Lüfter und Thermostat mit Doppelfilter für Luftwechsel, Ton 35°C±3°C, Toff 20°C±3°C):

- 24Vac, 1A max, 50/60Hz
- 120Vac, 0.37A max, 50/60Hz
- 230Vac, 0.19A max, 50/60Hz

Kameranetzteil:

- IN von 100Vac bis zu 240Vac, 50/60Hz - OUT 12Vdc, 1.25A
- IN 230Vac, 50Hz - OUT 24Vac, 50Hz, 400mA

## 10.4 Umgebung

Montage für den Innen- und Außenbereich

Betriebstemperatur mit Heizung: von -20°C bis zu +60°C

Betriebstemperatur mit Doppeleizung: von -40°C bis zu +60°C

Betriebstemperatur mit lüftergestützter dreifacher Heizung: von -50°C bis zu +60°C

## 10.5 Zertifizierungen

Elektrische Sicherheit (CE): EN60065, EN62368-1

Elektromagnetische Verträglichkeit (CE): EN50130-4, EN61000-6-3

Schutzart IP:

- EN60529, IP66/IP67 (mit Kabelverschraubungen)
- EN60529, IP44 (mit Doppelfilter für den Luftaustausch)

Salznebelbeständig: bis 1000 Stunden (ISO9227)

EAC-Zertifizierung

# 11 Technische Zeichnungen



Die Maße sind in Millimetern angegeben.

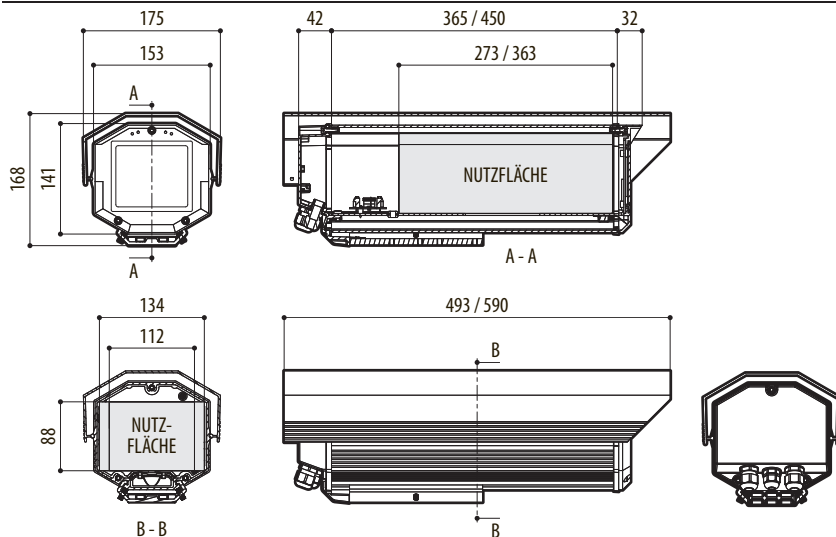


Abb. 7 HEG.



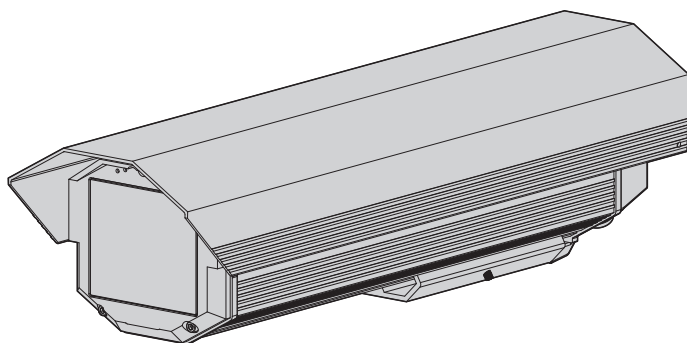
Headquarters Italy VIDEOTEC s.r.l.  
Via Friuli, 6 - I-36015 Schio (VI) - Italy  
Tel. +39 0445 697411 - Fax +39 0445 697414  
Email: info@videotec.com  
www.videotec.com

MNVCEG\_2222\_DE



## HEG

Алюминиевый кожух для камеры большого размера



# Комплект оборудования

<b>1</b>	<b>О настоящем руководстве.....</b>	<b>3</b>
1.1	Типографские условные обозначения.....	3
<b>2</b>	<b>Примечания в отношении авторского права и информация о торговых марках.....</b>	<b>3</b>
<b>3</b>	<b>Правила техники безопасности.....</b>	<b>3</b>
<b>4</b>	<b>Обозначение .....</b>	<b>4</b>
4.1	Описание и обозначение типа устройства.....	4
4.2	Этикетка с маркировкой продукта.....	4
<b>5</b>	<b>Подготовка устройства к использованию.....</b>	<b>4</b>
5.1	Меры безопасности, предпринимаемые перед началом эксплуатации.....	4
5.2	Распаковка .....	4
5.3	Комплект оборудования .....	4
5.4	Безопасная утилизация упаковочных материалов .....	4
5.5	Подготовительные работы перед установкой .....	5
5.5.1	Установка кронштейна .....	5
<b>6</b>	<b>Монтаж .....</b>	<b>5</b>
6.1	Открытие кожуха .....	5
6.2	Установка камеры.....	5
6.3	Описание платы.....	6
6.4	Подключение линии питания.....	6
6.5	Установка модели с двойным фильтром для воздухообмена.....	7
6.6	Пакет с влагопоглотителем.....	7
<b>7</b>	<b>Комплектующие .....</b>	<b>7</b>
7.1	Нагреватель.....	7
7.1.1	Установка нагревателя .....	7
7.2	Питание камеры.....	7
7.2.1	Установка источника питания камеры.....	7
<b>8</b>	<b>Техническое обслуживание и очистка .....</b>	<b>8</b>
8.1	Очистка .....	8
8.1.1	Чистка окна и пластмассовых деталей.....	8
<b>9</b>	<b>Информация об утилизации и переработке.....</b>	<b>8</b>
<b>10</b>	<b>Технические характеристики .....</b>	<b>9</b>
10.1	Общие сведения .....	9
10.2	Механические хар.....	9
10.3	Электрические хар.....	9
10.4	Окружающая среда.....	9
10.5	Сертификаты.....	9
<b>11</b>	<b>Технические чертежи .....</b>	<b>10</b>

# 1 О настоящем руководстве

Перед установкой и использованием этого изделия внимательно прочтите всю предоставленную документацию. Всегда держите руководство под рукой, чтобы им можно было воспользоваться в будущем.

## 1.1 Типографские условные обозначения



### **ОПАСНОСТЬ!**

**Высокий уровень опасности. Риск поражения электрическим током. При отсутствии иных указаний отключите питание устройства, перед тем как приступить к выполнению любой операции.**



### **ПРЕДУПРЕЖДЕНИЕ!**

**Средний уровень опасности. Данная операция крайне важна для обеспечения надлежащего функционирования системы. Внимательно ознакомьтесь с описанием процедуры и выполните ее в соответствии с приведенными указаниями.**



### **INFO**

**Описание характеристик системы. Рекомендуем внимательно ознакомиться с содержанием этого раздела, для того чтобы понять следующие этапы.**

## 2 Примечания в отношении авторского права и информация о торговых марках

Названия устройств или компаний, упоминаемые в настоящем документе, являются торговыми марками или зарегистрированными торговыми знаками соответствующих компаний.

## 3 Правила техники безопасности



**ПРЕДУПРЕЖДЕНИЕ! Установка и обслуживание устройства должны осуществляться только специализированным персоналом.**

- Производитель не несет ответственности за любые повреждения, возникающие в результате неправильного использования указанного в настоящем руководстве оборудования. Помимо этого, производитель сохраняет за собой право изменять содержание руководства без предварительного уведомления. Представленная в настоящем руководстве документация прошла тщательную проверку. Однако производитель не несет ответственности за ее использование. Аналогичные условия предусмотрены в отношении любого лица или компании, привлеченных для составления и создания данного руководства.
- Перед тем, как приступить к выполнению любых операций, убедитесь в том, что источник питания устройства отключен.
- Не используйте кабели, которые кажутся изношенными или старыми.
- Никогда и ни при каких обстоятельствах не выполняйте изменений или подключений, не предусмотренных настоящим руководством. Ненадлежащее использование оборудования может привести к возникновению серьезных опасных ситуаций, угрожающих безопасности персонала и системы.
- Используйте только оригинальные запасные части. Неоригинальные запасные части могут привести к возникновению пожара, электрического разряда или другой опасной ситуации.
- Перед монтажом проверьте соответствие поставленных материалов спецификациям заказа, сверив идентификационные ярлыки (4.2 Этикетка с маркировкой продукта, страница 4).

## 4 Обозначение

### 4.1 Описание и обозначение типа устройства

Надежный и вместительный алюминиевый кожух для размещения камер 1/2", 1/3" и 1/4" и различных объективов.

Кожух может использоваться для различных целей: для наблюдения в городах и на автомобильных дорогах.

Система прямого открытия обеспечивает простой доступ для установки и технического обслуживания.

Кожух может устанавливаться с защитными оболочками для кабелей вместо стандартных кабельных муфт с использованием распределительной коробки для подключения проводов.

Широкий ассортимент комплектующих для монтажа оборудования обеспечивает возможность установки в любых условиях.

### 4.2 Этикетка с маркировкой продукта

См. ярлык на изделии.

## 5 Подготовка устройства к использованию



**Любое изменение, которое выполняется без разрешения, явным образом предоставленного производителем, аннулирует гарантию.**

## 5.1 Меры безопасности, предпринимаемые перед началом эксплуатации



**ПРЕДУПРЕЖДЕНИЕ! Система электропитания, к которой подключается устройство, должна иметь автоматический двухполюсный выключатель цепи при номинальном токе 15А max. Минимальное расстояние между контактами автоматического выключателя цепи должно составлять 3mm. Выключатель цепи должен иметь защиту от тока КЗ на землю (дифференциальная защита) и защиту от перегрузки по току (термомагнитная защита).**

## 5.2 Распаковка

При получении устройства убедитесь, что упаковка не повреждена и не имеет явных признаков падения или царапин.

В случае наличия видимых повреждений незамедлительно свяжитесь с поставщиком.

В случае возврата неисправного устройства мы рекомендуем использовать оригинальную упаковку для транспортировки.

Сохраняйте упаковку на случай, если потребуется отправить устройство на ремонт.

## 5.3 Комплект оборудования

Проверьте комплект оборудования на соответствие представленному ниже списку материалов:


- Кожух
- Оснащение для кожуха:
  - Прокладки
  - Шестигранные ключи
  - Болты и винты
- Пакет с влагопоглотителем
- Руководство по эксплуатации

## 5.4 Безопасная утилизация упаковочных материалов

Упаковочные материалы могут подвергаться переработке. Технический специалист установщика отвечает за сортировку материалов для переработки, а также за соблюдение требований законодательства, действующего в месте установки устройства.

## 5.5 Подготовительные работы перед установкой

### 5.5.1 Установка кронштейна

 Устройство должно крепиться с помощью соответствующих приспособлений. Крепежные элементы должны гарантировать механическую герметичность и выдерживать как минимум четырехкратный вес устройства.

## 6 Монтаж

### 6.1 Открывание кожуха

Отвинтите винты, установленные в задней части дна и ослабьте 2 установочных винта, установленных в внешних салазках. Снимите корпус футляра.

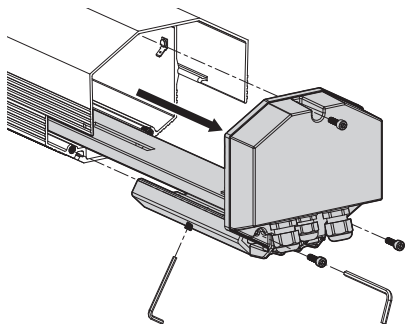




Рис. 1

 После завершения операций по установке и прокладке кабелей закройте устройство.

### 6.2 Установка камеры

 Питание может обеспечиваться платой, предоставляемой вместе с устройством. Убедитесь в правильности значений напряжения.

Откройте кожух, следуя указаниям в соответствующем разделе (6.1 Открывание кожуха, страница 5).

Закрепите камеру винтом 1/4". (01). Для правильного размещения телекамеры и объектива используйте, при необходимости, предоставленные прокладки. (02).

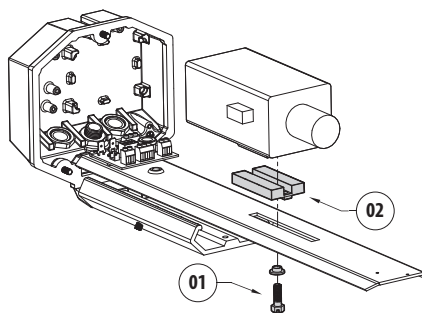


Рис. 2

Снимите защитную оплетку с проводов и подключите их к клеммам (питание камеры, 6.3 Описание платы, страница 6).

Жилы кабеля питания камеры должны удерживаться вместе с помощью стяжного хомута, расположенного вблизи клеммы. Размещайте кабели питания отдельно от кабелей сигнала.

Установите внутреннюю направляющую на прежнее место и затяните винты, которые ранее были ослаблены.

## 6.3 Описание платы

**i** Плата может отличаться от той, что указана на рисунке.

**i** Плата, в зависимости от версии устройства, может не обладать всеми функциями.

ОПИСАНИЕ ПЛАТЫ		
Разъем	Функция	Примечания
J1	Питание камеры ( $V_{out}$ )	В зависимости от модели блока питания, два разъёма используются по-разному. Если используется напряжение 12Vdc разъем А соответствует полярности +, а разъем В соответствует полярности -. Если используется напряжение 24Vac разъемы А и В являются равноценными и соответствуют напряжению переменного тока.
J2	Питание устройства нагрева	
J3	Питание платы ( $V_{in}$ )	
J4	Вспомогательный выход ( $V_{out}$ )	Одинаковое напряжение, которое подаётся на J3
J5	Разъем питания/перемычка	Перемычка присутствует только в моделях с вентилятором.
J6	Питание вентилятора	

Табл. 1

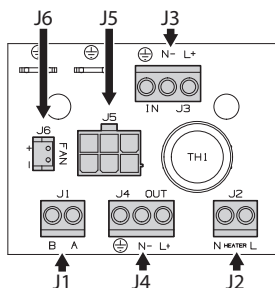


Рис. 3

**i** Номинальное сечение используемых кабелей: от 0.2mm<sup>2</sup> (24AWG) до 2.5mm<sup>2</sup> (13AWG).

## 6.4 Подключение линии питания

**!** ПРЕДУПРЕЖДЕНИЕ! Тип используемого кабеля должен быть совместимым с предполагаемым видом использования. Соблюдайте действующие в вашей стране правила, относящиеся к электрическим установкам.

**!** Подключите клемму защитного заземления к соответствующему разъему источника питания.

**!** Кабель заземления должен быть длиннее двух других кабелей примерно на 10mm, чтобы предотвратить его случайное отсоединение при натягивании.

Вставьте кабели в корпус через кабельные муфты. Кабельные муфты подходят к проводам, имеющим диаметр от 5mm до 10mm. Часть кабеля внутри кожуха должна иметь достаточную длину и гарантировать подключение. Затяните соответственно кабельные муфты.



## 6.5 Установка модели с двойным фильтром для воздухообмена

**i** Во время установки обратите внимание на направление ребер впускного воздушного фильтра.

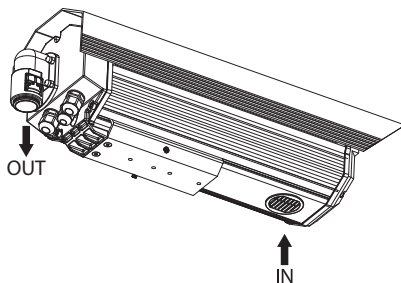


Рис. 4

В целях обеспечения соответствующей степени защиты от непогоды установите кожух на кронштейн, соблюдая пределы наклона, указанные на рисунке.

В зависимости от угла наклона кожуха, ребра фильтра должны располагаться так, чтобы в случае дождя вода не попадала внутрь:

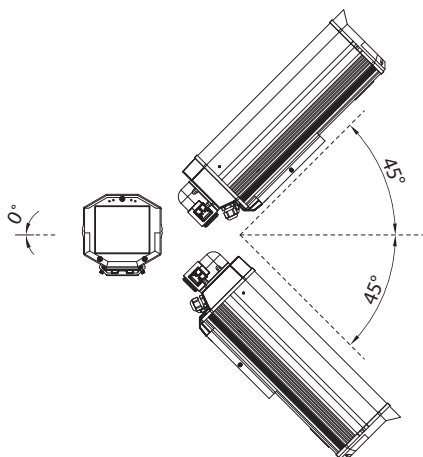


Рис. 5 Максимальный наклон поперечной оси: 0°. Максимальный наклон продольной оси:  $\pm 45^\circ$ .

## 6.6 Пакет с влагопоглотителем

Достаньте пакетик с влагопоглотителем из упаковки и разместите его в устройстве.

## 7 Комплектующие

**i** Дополнительная информация по конфигурации и использованию представлена в соответствующем руководстве.

### 7.1 Нагреватель

#### 7.1.1 Установка нагревателя

По завершении монтажа подключите кабель к клемме (питание устройства нагрева, 6.3 Описание платы, страница 6).

### 7.2 Питание камеры

#### 7.2.1 Установка источника питания камеры

**!** Обратите внимание на значение используемого напряжения при подаче напряжения на контур. В зависимости от условий правильно выберите комплект источника питания.

Используемые блоки питания:

- IN от 100Vac до 240Vac, 50/60Hz - OUT 12Vdc, 1.25A
- IN 230Vac, 50Hz - OUT 24Vac, 50Hz, 400mA

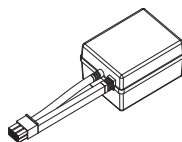


Рис. 6 Питание камеры.

После завершения установки, подключите блок питания к соединителю (разъем питания, 6.3 Описание платы, страница 6).

## 8 Техническое обслуживание и очистка



**Отключите источник питания, перед тем как приступить к проведению каких-либо технических работ на устройстве.**

### 8.1 Очистка

#### 8.1.1 Чистка окна и пластмассовых деталей



**Не используйте этиловый спирт, растворители, галогенированные углеводороды, сильные кислоты и щелочи. Подобные вещества могут необратимо повредить поверхность устройства.**

Мы рекомендуем использовать мягкую ткань с нейтральным мылом, разведенным в воде, или специальные вещества для очистки стеклянных объективов.

## 9 Информация об утилизации и переработке

Европейская директива 2012/19/ЕС Об Отходах Электрического и Электронного Оборудования (RAEE) предписывает, что данные устройства не следует утилизировать вместе с твердыми бытовыми отходами; их сбор осуществляется отдельно для оптимизации потока их утилизации и переработки содержащихся в них материалов, а также снижения воздействия на здоровье людей и окружающую среду в связи с присутствием потенциально опасных веществ.



**Значок с изображением зачеркнутого мусорного контейнера присутствует на всей продукции для напоминания об указанном требовании.**

Отходы могут доставляться в соответствующие центры по сбору отходов или бесплатно передаваться дистрибьютору, у которого было куплено оборудование, в момент покупки новой аналогичной продукции или без обязательства совершить новую покупку в случае оборудования, чей размер не превышает 25см.

Для получения более подробной информации о надлежащей утилизации данных устройств вы можете обратиться в уполномоченную государственную организацию.

# 10 Технические характеристики

## 10.1 Общие сведения

Модель без дополнительного оборудования

Эпоксиполиэстеровое порошковое покрытие, цвет RAL9002

Наружные винты из нержавеющей стали

## 10.2 Механические хар.

Пространство внутри корпуса

- Модель без дополнительных устройств: 134x88mm
- Модель с двойным или тройным нагревателем : 112x88mm

Полезная внутренняя длина (без комплектующих)

- HEG37: 365mm
- HEG47: 450mm

Полезная внутренняя длина (с комплектующими):

- HEG37: 273mm
- HEG47: 363mm

Кабельные муфты: 3xM16

Стеклопанель дополнительная прозрачная

- Размеры (ШxВ): 94x80mm

Вес устройства

- HEG37: 4.1kg
- HEG47: 4,7kg

## 10.3 Электрические хар.

Напряжение сети питания/Потребляемый ток (модель с нагревателем, Ton 15°C±3°C, Toff 22°C±3°C):

- 12Vdc, 1.6A max
- 24Vac, 0.85A max, 50/60Hz
- 120Vac, 0.35A max, 50/60Hz
- 230Vac, 0.18A max, 50/60Hz

Напряжение сети питания/Потребляемый ток (модель с двойным нагревателем, Ton 15°C±3°C, Toff 22°C±3°C):

- 120Vac, 0.7A max, 50/60Hz
- 230Vac, 0.35A max, 50/60Hz

Напряжение сети питания/Потребляемый ток (модель с тройным нагревателем, вентилятор непрерывного цикла, Ton 15°C±3°C, Toff 22°C±3°C):

- 120Vac, 1A max, 50/60Hz
- 230Vac, 0.52A max, 50/60Hz

Напряжение сети питания/Потребляемый ток (версия с нагревателем, вентилятор и термостат для моделей с двойным фильтром для обновления воздуха, Ton 35°C±3°C, Toff 20°C±3°C):

- 24Vac, 1A max, 50/60Hz
- 120Vac, 0.37A max, 50/60Hz
- 230Vac, 0.19A max, 50/60Hz

Питание камеры:

- IN от 100Vac до 240Vac, 50/60Hz - OUT 12Vdc, 1.25A
- IN 230Vac, 50Hz - OUT 24Vac, 50Hz, 400mA

## 10.4 Окружающая среда

Для установки внутри помещений и наружной установки

Рабочая температура с учетом нагрева: от -20°C до +60°C

Температура работы версии с двойным обогревателем: от -40°C до +60°C

Температура работы версии с тройным обогревателем: от -50°C до +60°C

## 10.5 Сертификаты

Электробезопасность (CE): EN60065, EN62368-1

Электромагнитная совместимость (CE): EN50130-4, EN61000-6-3

Степень защиты IP:

- EN60529, IP66/IP67 (Настенный кронштейн для поворотных устройств)
- EN60529, IP44 (с двойным фильтром для воздухообмена)

Защита от солевого тумана: до 1000 часов (ISO9227)

Сертификат EAC

# 11 Технические чертежи



Размеры указаны в миллиметрах.

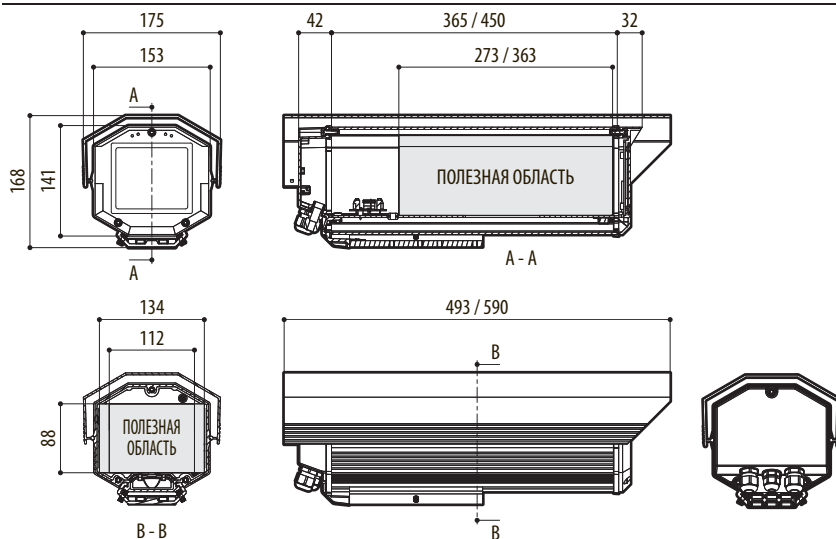


Рис. 7 HEG.



**Headquarters Italy** VIDEOTEC s.r.l.  
Via Friuli, 6 - I-36015 Schio (VI) - Italy  
Tel. +39 0445 697411 - Fax +39 0445 697414  
Email: info@videotec.com  
www.videotec.com

MNVCEG\_2222\_RU









**Headquarters Italy** VIDEOTEC s.r.l.  
Via Friuli, 6 - I-36015 Schio (VI) - Italy  
Tel. +39 0445 697411 - Fax +39 0445 697414  
Email: [info@videotec.com](mailto:info@videotec.com)  
[www.videotec.com](http://www.videotec.com)

**MNVCEG\_2222**