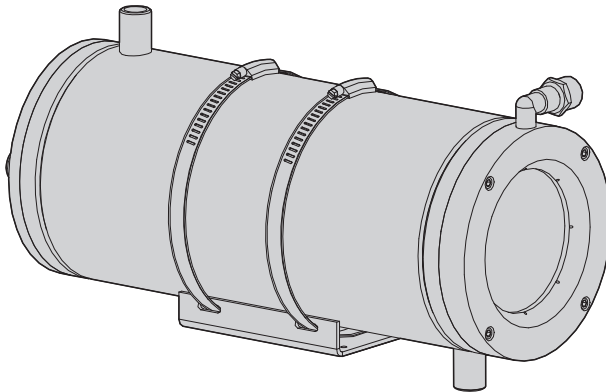




NXW

Liquid-cooled camera housing



EN English - Instruction manual

IT Italiano - Manuale di istruzioni

FR Français - Manuel d'instructions

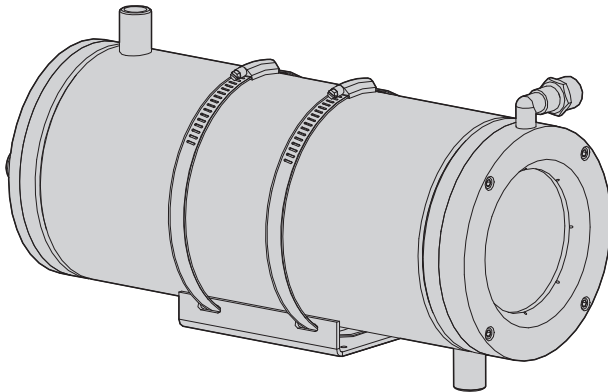
DE Deutsch - Bedienungsanleitung

RU Русский - Руководство по эксплуатации



NXW

Liquid-cooled camera housing



Contents

1 About this manual	3
1.1 Typographical conventions	3
2 Notes on copyright and information on trademarks	3
3 Safety rules	3
4 Identification	4
4.1 Product description and type designation	4
4.2 Product marking label	4
5 Preparing the product for use	4
5.1 Unpacking	4
5.2 Contents	4
5.3 Safely disposing of packaging material	4
6 Installation	5
6.1 Preparing the housing	5
6.2 Housing opening	6
6.3 How to install the camera	6
6.4 Housing closure	6
6.5 Installing the housing	6
6.6 Cooling circuit	7
6.6.1 Examples of system dimensioning	7
6.7 Front flange with air barrier	8
6.7.1 Suggested air capacity and pressure	8
7 Accessories	9
7.1 Installation of IR-proof glass kit	9
8 Cleaning	9
8.1 Cleaning the window	9
9 Information on disposal and recycling	9
10 Technical data	10
10.1 General	10
10.2 Mechanical	10
10.3 Housing's window	11
10.4 Electrical	11
10.5 Environment	11
10.6 Certifications	11
11 Technical drawings	12

1 About this manual

Read all the documentation supplied carefully before installing and using this product. Keep the manual in a convenient place for future reference.

1.1 Typographical conventions



DANGER!

High level hazard.

Risk of electric shock. Disconnect the power supply before proceeding with any operation, unless indicated otherwise.



CAUTION!

Medium level hazard.

This operation is very important for the system to function properly. Please read the procedure described very carefully and carry it out as instructed.



INFO

Description of system specifications. We recommend reading this part carefully in order to understand the subsequent stages.

2 Notes on copyright and information on trademarks

The mentioned names of products or companies are trademarks or registered trademarks.

3 Safety rules



CAUTION! Device installation and maintaining must be performed by specialist technical staff only.



CAUTION! The electrical system to which the unit is connected must be equipped with a 10A max automatic bipolar circuit breaker. The minimum distance between the circuit breaker contacts must be 3mm (0.1in). The circuit breaker must be provided with protection against the fault current towards the ground (differential) and the overcurrent (magnetothermal).

- The manufacturer declines all responsibility for any damage caused by an improper use of the appliances mentioned in this manual. Furthermore, the manufacturer reserves the right to modify its contents without any prior notice. The documentation contained in this manual has been collected and verified with great care. The manufacturer, however, cannot take any liability for its use. The same thing can be said for any person or company involved in the creation and production of this manual.
- Before starting any operation, make sure the power supply is disconnected.
- Be careful not to use cables that seem worn or old.
- Never, under any circumstances, make any changes or connections that are not shown in this handbook. Improper use of the appliance can cause serious hazards, risking the safety of personnel and of the installation.
- Use only original spare parts. Non-original spare parts could cause fire, electrical discharge or other hazards.
- Before proceeding with installation, check the supplied material to make sure it corresponds to the order specification by examining the identification labels (4.2 Product marking label, page 4).
- The equipment is intended for installation in a Restricted Access Area by specialist technical staff.

4 Identification

4.1 Product description and type designation

The solid construction of this housing makes it suitable for heavy-duty applications, such as the surveillance of ovens, foundries and other high-temperature environments.

The NXW housing, entirely made of polished stainless steel, consists of a body with double chamber for the circulation of coolant or cooling air, closed by two very thick flanges. The rear flange enables cable passage using two cable glands PG13.5. The front flange can be equipped with tempered glass or quartz glass for high temperatures.

4.2 Product marking label

See the label attached to the product.

Check the label on the product packaging.

5 Preparing the product for use



Any change that is not expressly approved by the manufacturer will invalidate the guarantee.

5.1 Unpacking

When the product is delivered, make sure that the package is intact and that there are no signs that it has been dropped or scratched.

If there are obvious signs of damage, contact the supplier immediately.

When returning a faulty product we recommend using the original packaging for shipping.

Keep the packaging in case you need to send the product for repairs.

5.2 Contents

Check the contents to make sure they correspond with the list of materials as below:

- Housing
- Housing equipment:
 - Allen wrench
 - Spacers
 - Bolts and screws
- Instruction manual

5.3 Safely disposing of packaging material

The packaging material can all be recycled. The installer technician will be responsible for separating the material for disposal, and in any case for compliance with the legislation in force where the device is to be used.

6 Installation

6.1 Preparing the housing

Dismantle the front flange (01) of the housing by unscrewing the four screws (02) with the hexagonal wrench (03) provided.

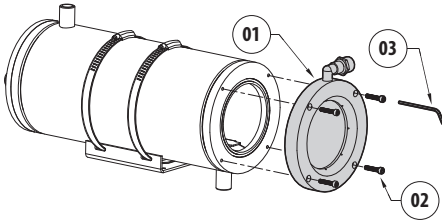


Fig. 1

Position the glass in its seating on the flange, after correctly inserting the O-rings in the order as shown.

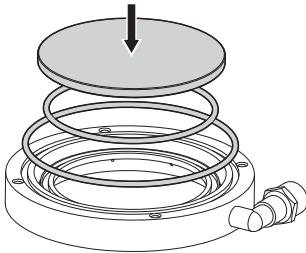


Fig. 2

If there is an IR-proof filter glass, see the specific assembly instructions (7.1 Installation of IR-proof glass kit, page 9).

Position the front flange of the housing on the body, making sure that the sealing rings are correctly inserted in their seating so as not to damage them. Tighten the 4 screws using the allen wrench supplied.

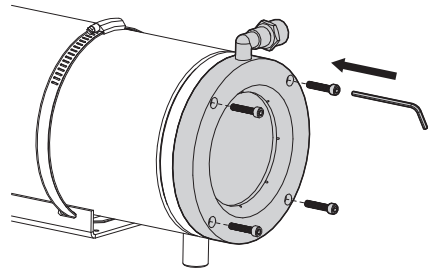


Fig. 3

6.2 Housing opening

Unscrew the screws (01) on the rear flange (02) using the hexagonal wrench (03) provided.

Slide out the rear cover plate of the housing, taking care to leave the sealing washer in its seating.

By doing so, you can access inside the housing without dismantling the support bracket.

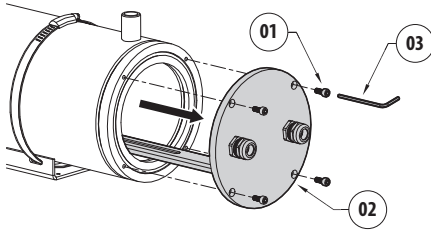


Fig. 4

6.3 How to install the camera

Open the housing as described in the relative chapter (6.2 Housing opening, page 6).

Assemble the camera on the slide using the insulating spacer (01) and the 1/4" screw and the washer (02) provided. If necessary, use the spacers to position the camera and lens correctly.

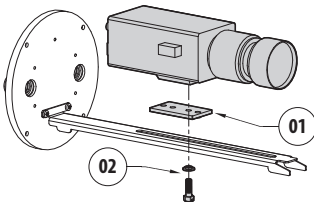


Fig. 5

Insert the cables through the cable glands and electrically connect.

Ensure the cable glands are firmly fastened.

6.4 Housing closure



Pay attention to the fixing. Tightening torque: 4Nm.

After installation and wiring, close the product.

Pay attention not to damage the gasket.

Make sure that the sealing ring is correctly fitted in its position.

6.5 Installing the housing



Pay attention to the fixing. Tightening torque: 4Nm.

Fasten the housing to the bracket using the screws provided.

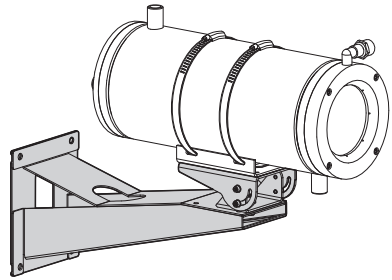


Fig. 6

6.6 Cooling circuit

The housing is equipped with an input and output joint on the cooling circuit, both of which are threaded 1/2" Gas.

Installation and dispersal of heat requirements mean the position of the input and output joints on the cooling circuit must be adapted to the specific situation.

The two joints on the cooling circuit placed near the front (01) and rear (02) flange can be used indifferently for cooling liquid input and output.

If necessary, the housing can be rotated on its fixing base by loosening the two fixing clips (03).

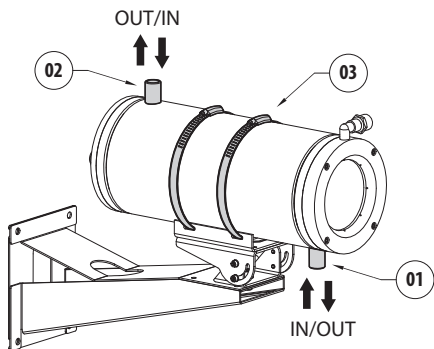


Fig. 7

6.6.1 Examples of system dimensioning

The following test data refer to use of water as a cooling liquid, with an input temperature of the housing of 20°C and a maximum ambient temperature of 400°C.

WATER COOLING CIRCUIT (WITH INPUT WATER AT A TEMPERATURE OF 20°C)		
T environment (°C)	Water flow rate (l/min)	T inside housing (°C)
200	2	32
300	2.2	41
400	6.5	44

Tab. 1

The following test data refer to cooling with air, at an input temperature of the housing of 17°C and a maximum ambient temperature of 80°C.

AIR COOLING CIRCUIT (WITH INPUT AIR AT A TEMPERATURE OF 17°C)			
T environment (°C)	Air pressure (bar)	Air capacity (m ³ /h)	T inside housing (°C)
80	1	10	45
80	2	15	35

Tab. 2

6.7 Front flange with air barrier

The flange with air barrier is equipped with a 1/4" Gas thread joint and a reduction from 1/2" Gas to 1/4" Gas. This joint must be connected to the circuit with compressed air supplied by a compressor.

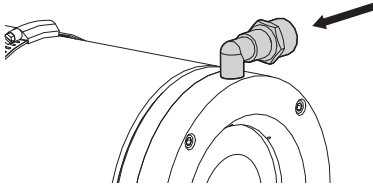


Fig. 8

6.7.1 Suggested air capacity and pressure

Upstream of the housing, you are advised to install:

- Pressure gauge.
- Adjustment valve.
- Optional filters unit for compressed air cleaning (NXFIGRU2, filtration 0.1µm).

This allows you to:

- Know and adjust the pressure to supply to the air barrier.
- Conduct simple maintenance.



Too high pressure values can cause breakage of the window. Strictly comply with the maximum values listed below:

Flange with 8 holes with double IR-proof glass

- **System pressure: 4bar max**
- **Recommended minimum pressure: 2bar**

Flange with 32 holes with tempered glass

- **System pressure: 6bar max**
- **Recommended minimum pressure: 2bar**

For example purposes, the system pressure-output pressure and system pressure-air capacity graphics are outlined which are useful for compressor dimensioning. All the values must be considered as purely approximate.

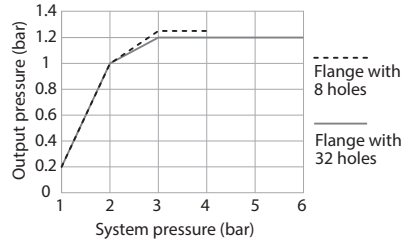


Fig. 9

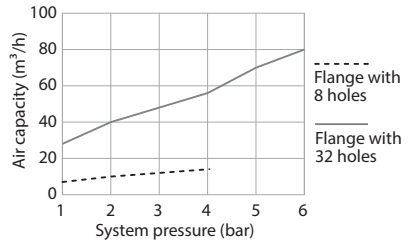


Fig. 10


7 Accessories

7.1 Installation of IR-proof glass kit

The kit is composed of an IR-proof glass pair and a special air barrier flange that differs from the standard one, which must be replaced.

Dismantle the front flange of the housing by unscrewing the 4 screws using the hexagonal wrench provided.

Insert the O-Ring gaskets (01), (02) in the respective compartments in the flange. Position the glass pair (03) in the specific compartment.

 **Correct orientation of the IR-proof glass. Marking (04) identifies the surface of each glass which must be turned outwards of the housing.**

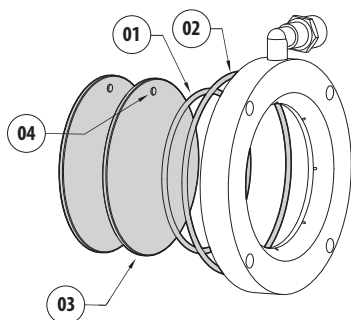



Fig. 11

Position the new front flange on the body of the housing, paying attention the gaskets are correctly inserted in their compartments to avoid damaging them. Tighten the 4 screws using the allen wrench supplied.

8 Cleaning

8.1 Cleaning the window

We recommend using a soft cloth with neutral soap diluted with water or specific products to clean the lenses.

 **Avoid ethyl alcohol, solvents, hydrogenated hydrocarbide, strong acid and alkali. Such products may irreparably damage the surface.**

9 Information on disposal and recycling

The European Directive 2012/19/EU on Waste Electrical and Electronic Equipment (WEEE) mandates that these devices should not be disposed of in the normal flow of municipal solid waste, but they should be collected separately in order to optimize the recovery stream and recycling of the materials that they contain and to reduce the impact on human health and the environment due to the presence of potentially hazardous substances.

 **The symbol of the crossed out bin is marked on all products to remember this.**

The waste may be delivered to appropriate collection centers, or may be delivered free of charge to the distributor where you purchased the equipment at the time of purchase of a new equivalent or without obligation to a new purchase for equipment with size smaller than 25cm (9.8in).

For more information on proper disposal of these devices, you can contact the responsible public service.

10 Technical data

10.1 General

Housing manufactured in polished stainless steel (austenitic stainless alloy steel resistant to corrosion and heat):

- AISI 316L
- UNI 6900-71: X 2 Cr Ni Mo 17 12 2
- DIN 17006: X 2 Cr Ni Mo 17 13 2
- N° werkstoff: 1.4404
- AFNOR: Z2 CND 17-12
- BSI: 316S11

The screws utilised are in austenitic alloy stainless steel, corrosion and heat resistant according to the following standards:

- ISO: 7380
- AISI: 316
- ISO quality: A4
- Resistance class ISO: from 50 to 70

10.2 Mechanical

External body polishing

Dimensions (ØxL): 154x375mm (6x14.8in)

Internal usable dimensions (WxH): 78x78mm (3.1x 3.1in)

Internal usable length: 345mm (13.6in)

Internal usable length (with power supply): 223mm (8.8in)

2x1/2" GAS connectors for liquid input / output

The flange with air barrier is equipped with a 1/4" Gas thread joint and a reduction from 1/2" Gas to 1/4" Gas.

Gaskets: O-ring

Flange thickness (back) : 9mm (0.35in)

Cable glands: 2xPG13.5 (nickel-plated brass)

Cooling liquid (application example with incoming water at 20°C (68°F) temperature):

- ambient temperature 200°C (392°F), water capacity 2l/min, temperature inside housing 32°C (89.6°F)
- ambient temperature 300°C (572°F), water capacity 2.2l/min, temperature inside housing 41°C (105.8°F)
- ambient temperature 400°C (752°F), water capacity 6.5l/min, temperature inside housing 44°C (111.2°F)

Cooling Air (Application example with incoming air at 17°C(62°F) and an environmental temperature at 80°C(176°F)):

- with pressure 1bar, air capacity 10m³/h, temperature inside housing 45°C (113°F)
- with pressure 2bar, air capacity 15m³/h, temperature inside housing 35°C (95°F)

Air barrier (Flange with 8 holes)

- Male input 1/2" GAS
- System pressure: 4bar max
- Recommended minimum pressure: 2bar

Air barrier (Flange with 32 holes)

- Male input 1/2" GAS
- System pressure: 6bar max
- Recommended minimum pressure: 2bar

Unit weight: 10.2kg (22lb)

10.3 Housing's window

Usable diameter: 95mm (3.7in)

Tempered extra clear glass

- Thick: 6mm (0.24in)
- Operating temperature: 260°C (500°F) max, thermal gradient 108°C (226.4°F) max

Quartz glass

- Thick: 6mm (0.24in)
- Operating temperature: 400°C (752°F) max, thermal gradient 220°C (428°F) max

IR-proof glass

- Thick: 6.6mm (0.3in)
- Operating temperature: 260°C (500°F) max, thermal gradient 108°C (226.4°F) max

10.4 Electrical

Camera power supply

IN from 100Vac up to 240Vac, 50/60Hz - OUT 12Vdc, 1.25A

IN 230Vac, 50/60Hz - OUT 24Vac, 400mA

10.5 Environment

For indoors and outdoors installation

Maximum working temperature (with water cooling):

- with tempered glass 260°C (500°F) max
- with quartz glass 400°C (752°F) max
- with IR-proof glass 260°C (500°F) max

Relative humidity: from 5% up to 95%

10.6 Certifications

Electrical safety (CE): EN60065, EN62368-1

Electromagnetic compatibility (CE): EN50130-4, EN61000-6-3

IP protection degree: EN60529, IP66/IP67

EAC certification

11 Technical drawings



The indicated measurements are expressed in millimetres.

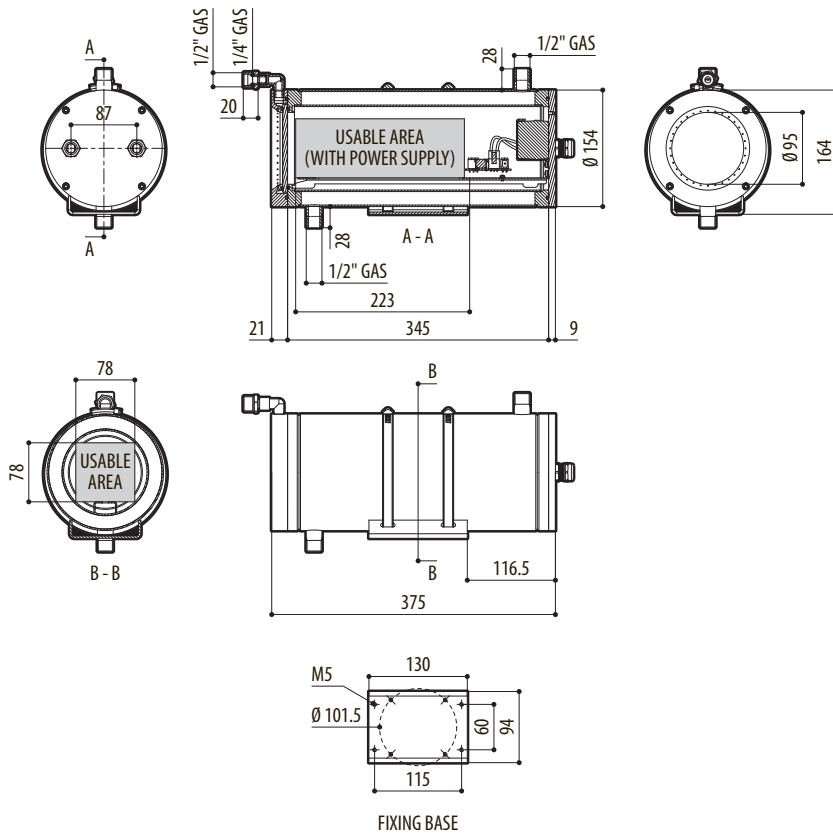


Fig. 12 NXW.

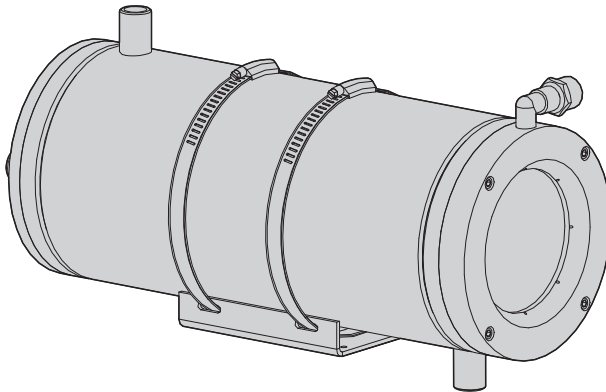


Headquarters Italy VIDEOTECH s.r.l.
Via Friuli, 6 - I-36015 Schio (VI) - Italy
Tel. +39 0445 697411 - Fax +39 0445 697414
Email: info@videotec.com
www.videotec.com



NXW

Custodia per telecamera raffreddata a liquido



Sommario

1 Informazioni sul presente manuale.....	3
1.1 Convenzioni tipografiche	3
2 Note sul copyright e informazioni sui marchi commerciali	3
3 Norme di sicurezza	3
4 Identificazione.....	4
4.1 Descrizione e designazione del prodotto.....	4
4.2 Etichetta di marcatura del prodotto.....	4
5 Preparazione del prodotto per l'utilizzo.....	4
5.1 Disimballaggio	4
5.2 Contenuto.....	4
5.3 Smaltimento in sicurezza dei materiali di imballaggio.....	4
6 Installazione	5
6.1 Preparazione della custodia.....	5
6.2 Apertura della custodia	6
6.3 Installazione della telecamera	6
6.4 Chiusura della custodia.....	6
6.5 Installazione della custodia.....	6
6.6 Circuito di raffreddamento.....	7
6.6.1 Esempi di dimensionamento dell'impianto.....	7
6.7 Flangia anteriore con barriera d'aria.....	8
6.7.1 Portate e pressioni d'aria suggerite	8
7 Accessori	9
7.1 Installazione del kit vetro anti IR	9
8 Pulizia	9
8.1 Pulizia della finestra.....	9
9 Informazioni sullo smaltimento e il riciclo	9
10 Dati tecnici	10
10.1 Generale	10
10.2 Meccanica.....	10
10.3 Finestre per custodia.....	11
10.4 Elettrico.....	11
10.5 Ambiente	11
10.6 Certificazioni.....	11
11 Disegni tecnici	12

1 Informazioni sul presente manuale

Prima di installare e utilizzare questo prodotto leggere attentamente tutta la documentazione fornita. Tenere il manuale a portata di mano per consultazioni successive.

1.1 Convenzioni tipografiche



PERICOLO!

Pericolosità elevata. Rischio di scosse elettriche. Prima di eseguire qualsiasi operazione assicurarsi di togliere tensione al prodotto, salvo diversa indicazione.



ATTENZIONE!

Pericolosità media. L'operazione è molto importante per il corretto funzionamento del sistema. Si prega di leggere attentamente la procedura indicata e di eseguirla secondo le modalità previste.



INFO

Descrizione delle caratteristiche del sistema. Si consiglia di leggere attentamente per comprendere le fasi successive.

2 Note sul copyright e informazioni sui marchi commerciali

I nomi di prodotto o di aziende citati sono marchi commerciali o marchi commerciali registrati appartenenti alle rispettive società.

3 Norme di sicurezza



ATTENZIONE! L'installazione e la manutenzione del dispositivo devono essere eseguite solo da personale tecnico specializzato.



ATTENZIONE! L'impianto elettrico al quale è collegata l'unità deve essere dotato di un interruttore di protezione bipolare automatico da 10A max. La distanza minima tra i contatti dell'interruttore di protezione deve essere di 3mm. L'interruttore deve essere provvisto di protezione contro la corrente di guasto verso terra (differenziale) e la sovracorrente (magnetotermico).

- Il produttore declina ogni responsabilità per eventuali danni derivanti da un uso improprio delle apparecchiature menzionate in questo manuale. Si riserva inoltre il diritto di modificarne il contenuto senza preavviso. Ogni cura è stata posta nella raccolta e nella verifica della documentazione contenuta in questo manuale. Il produttore, tuttavia, non può assumersi alcuna responsabilità derivante dall'utilizzo della stessa. Lo stesso dicasi per ogni persona o società coinvolta nella creazione e nella produzione di questo manuale.
- Prima di eseguire qualsiasi operazione assicurarsi di togliere tensione al prodotto.
- Non utilizzare cavi con segni di usura o invecchiamento.
- Non effettuare per nessun motivo alterazioni o collegamenti non previsti in questo manuale. L'uso di apparecchi non idonei può portare a gravi pericoli per la sicurezza del personale e dell'impianto.
- Utilizzare solo parti di ricambio originali. Pezzi di ricambio non originali potrebbero causare incendi, scariche elettriche o altri pericoli.
- Prima di procedere con l'installazione, controllare che il materiale fornito corrisponda alle specifiche richieste esaminando le etichette di marcatura (4.2 Etichetta di marcatura del prodotto, pagina 4).
- L'apparecchio è destinato all'installazione in un'Area ad Accesso Limitato effettuata da personale tecnico specializzato.

4 Identificazione

4.1 Descrizione e designazione del prodotto

La costruzione eccezionalmente robusta di questa custodia la rende adatta alle applicazioni più pesanti, per la sorveglianza di forni, fonderie e ambienti in cui si sviluppano alte temperature.

La custodia NXW, interamente costruita in acciaio Inox brillantato, è costituita da un corpo con doppia camera per la circolazione del liquido o dell'aria di raffreddamento, chiuso da due flange di elevato spessore. La flangia posteriore permette il passaggio dei cavi mediante due pressacavi PG13.5. La flangia anteriore può essere dotata di vetro temprato oppure di vetro al quarzo per temperature superiori.

4.2 Etichetta di marcatura del prodotto

Vedere l'etichetta posta sul prodotto.

Controllare l'etichetta posta sull'imballo del prodotto.

5 Preparazione del prodotto per l'utilizzo



Qualsiasi intervento non espressamente approvato dal costruttore fa decadere la garanzia.

5.1 Disimballaggio

Alla consegna del prodotto verificare che l'imballo sia integro e non presenti segni evidenti di cadute o abrasioni.

In caso di danni evidenti all'imballo contattare immediatamente il fornitore.

In caso di restituzione del prodotto malfunzionante è consigliato l'utilizzo dell'imballo originale per il trasporto.

Conservare l'imballo qualora fosse necessario inviare il prodotto in riparazione.

5.2 Contenuto

Controllare che il contenuto sia corrispondente alla lista del materiale sotto elencato:

- Custodia
- Dotazione per custodia:
 - Chiave esagonale
 - Distanziali
 - Viteria
- Manuale di istruzioni

5.3 Smaltimento in sicurezza dei materiali di imballaggio

I materiali d'imballo sono costituiti interamente da materiale riciclabile. Sarà cura del tecnico installatore smaltirli secondo le modalità di raccolta differenziata o comunque secondo le norme vigenti nel Paese di utilizzo.

6 Installazione

6.1 Preparazione della custodia

Smontare la flangia anteriore (01) della custodia svitando le quattro viti (02) con la chiave esagonale (03) in dotazione.

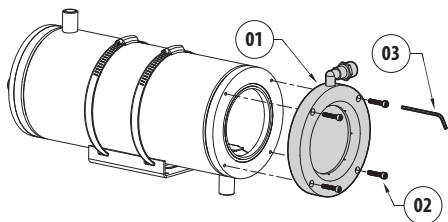


Fig. 1

Posizionare il vetro nella propria sede sulla flangia dopo aver inserito correttamente le guarnizioni O-Ring con la sequenza indicata.

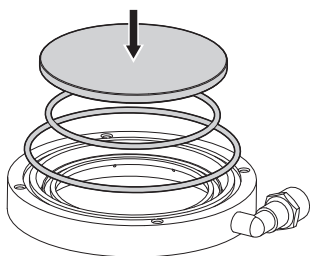


Fig. 2

Nel caso di vetro filtro anti IR vedere le successive istruzioni specifiche di montaggio (7.1 Installazione del kit vetro anti IR, pagina 9).

Posizionare la flangia frontale della custodia sul corpo prestando attenzione che le guarnizioni di tenuta siano correttamente inserite nelle proprie sedi in modo da non danneggiarle. Serrare le 4 viti utilizzando la chiave esagonale in dotazione.

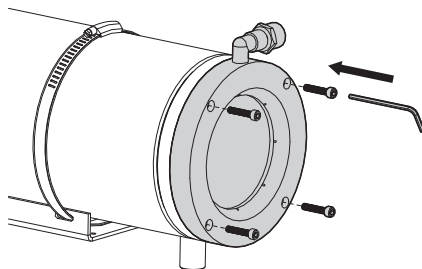


Fig. 3

6.2 Apertura della custodia

Svitare le viti (01) poste sulla flangia posteriore (02) utilizzando la chiave esagonale (03) in dotazione.

Sfilare il fondo della custodia prestando attenzione che la guarnizione rimanga in sede.

Così facendo sarà possibile accedere all'interno della custodia senza smontarla dalla staffa di sostegno.

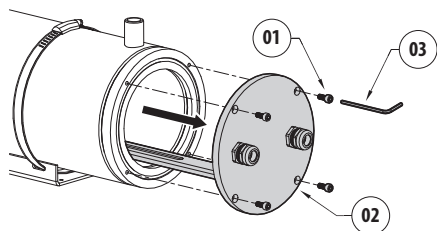


Fig. 4

6.3 Installazione della telecamera

Aprire la custodia come descritto nel relativo capitolo (6.2 Apertura della custodia, pagina 6).

Montare la telecamera sulla slitta utilizzando il distanziale isolante (01), la vite da 1/4" e la rondella (02) in dotazione. Se necessario utilizzare i distanziali per posizionare nel modo corretto telecamera ed ottica.

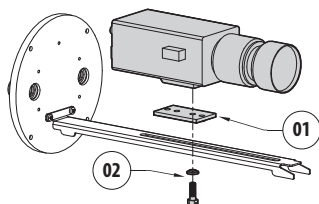


Fig. 5

Inserire i cavi attraverso i pressacavi ed eseguire le connessioni elettriche necessarie. Assicurarsi che i pressacavi siano fissati saldamente.

6.4 Chiusura della custodia



**Prestare attenzione durante il fissaggio.
Coppia di serraggio: 4Nm.**

Al termine delle operazioni di installazione e cablaggio richiudere il prodotto.

Prestare attenzione a non danneggiare la guarnizione di tenuta.

Assicurarsi che la guarnizione sia correttamente inserita nella propria sede.

6.5 Installazione della custodia



**Prestare attenzione durante il fissaggio.
Coppia di serraggio: 4Nm.**

Fissare la custodia sulla staffa utilizzando le viti fornite in dotazione.

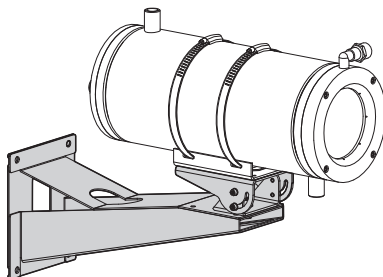


Fig. 6

6.6 Circuito di raffreddamento

La custodia è dotata di un raccordo d'entrata e uno d'uscita del circuito di raffreddamento entrambi filettati 1/2"Gas.

Le esigenze di installazione e di smaltimento del calore impongono di adattare la posizione dei raccordi di ingresso e uscita del circuito di raffreddamento in funzione della specifica situazione.

I due raccordi per il collegamento del circuito di raffreddamento posti in prossimità della flangia anteriore (01) e posteriore (02) possono essere utilizzati indistintamente per l'ingresso o l'uscita del fluido di raffreddamento.

Se necessario, è inoltre possibile ruotare la custodia rispetto alla sua base di fissaggio allentando le due fascette di fissaggio (03).

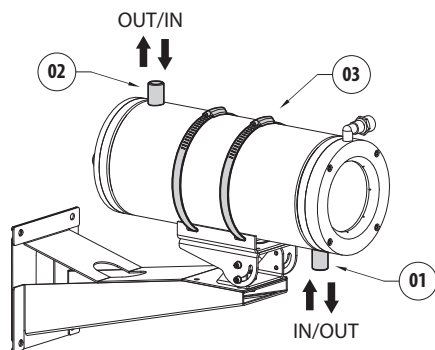


Fig. 7

6.6.1 Esempi di dimensionamento dell'impianto

I seguenti dati sperimentali si riferiscono all'utilizzo di acqua come liquido di raffreddamento, con una temperatura all'ingresso della custodia di 20°C e una temperatura ambiente massima di 400°C.

CIRCUITO DI RAFFREDDAMENTO AD ACQUA (CON ACQUA IN INGRESSO A UNA TEMPERATURA DI 20°C)		
T ambiente (°C)	Portata acqua (l/min)	T interna custodia (°C)
200	2	32
300	2.2	41
400	6.5	44

Tab. 1

I seguenti dati sperimentali si riferiscono al raffreddamento con aria, con una temperatura all'ingresso della custodia di 17°C e una temperatura ambiente massima di 80°C.

CIRCUITO DI RAFFREDDAMENTO AD ARIA (CON ARIA IN INGRESSO A UNA TEMPERATURA DI 17°C)			
T ambiente (°C)	Pressione aria (bar)	Portata aria (m³/h)	T interna custodia (°C)
80	1	10	45
80	2	15	35

Tab. 2

6.7 Flangia anteriore con barriera d'aria

La flangia con barriera d'aria è dotata di un raccordo filettato 1/4"Gas e di una riduzione da 1/2"Gas a 1/4"Gas. A tale raccordo deve essere connesso il circuito d'aria compressa fornita da un compressore.

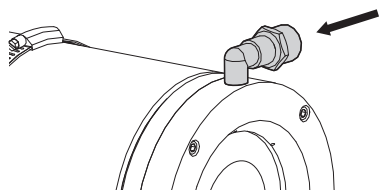


Fig. 8

6.7.1 Portate e pressioni d'aria suggerite

A monte della custodia si raccomanda di installare:

- Manometro.
- Valvola di regolazione.
- Gruppo filtri opzionale per la pulizia dell'aria compressa (NXFIGRU2, filtrazione 0.1µm).

Ciò consente di:

- Conoscere e regolare la pressione da fornire alla barriera d'aria.
- Effettuare una manutenzione più semplice.



Valori troppo elevati di pressione possono causare la rottura della finestra. Attenersi scrupolosamente ai valori massimi sotto elencati:

Flangia con 8 fori con doppio vetro anti IR

- Pressione d'impianto: 4bar max
- Pressione minima consigliata: 2bar

Flangia con 32 fori con vetro temprato

- Pressione d'impianto: 6bar max
- Pressione minima consigliata: 2bar

A titolo esemplificativo, di seguito sono riportati i grafici pressione impianto-pressione uscita e pressione impianto-portata d'aria utili per il dimensionamento del compressore. Tutti i valori devono essere considerati come puramente indicativi.

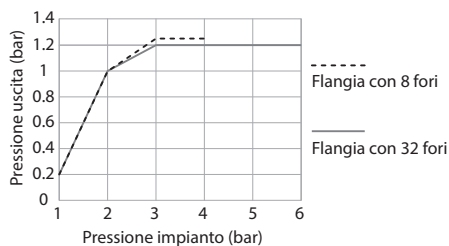


Fig. 9

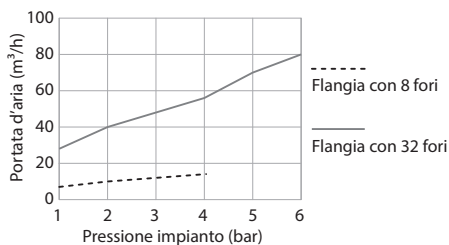


Fig. 10

7 Accessori

7.1 Installazione del kit vetro anti IR

Il kit è costituito da una coppia di vetri anti IR e da una speciale flangia con barriera d'aria diversa da quella standard, che deve essere sostituita.

Smontare la flangia anteriore della custodia svitando le 4 viti utilizzando la chiave esagonale in dotazione.

Inserire le guarnizioni O-Ring (01), (02) nelle rispettive sedi ricavate nella flangia. Posizionare la coppia di vetri (03) nell'apposita sede.

⚠ Corretto orientamento dei vetri anti IR. La marcatura (04) identifica la superficie di ogni vetro che deve essere rivolta verso l'esterno della custodia.

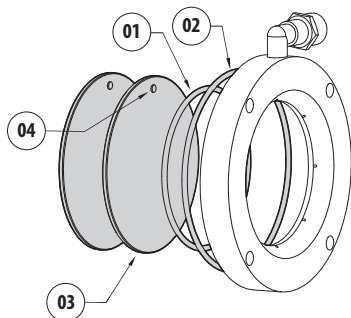


Fig. 11

Posizionare la nuova flangia anteriore sul corpo della custodia prestando attenzione che le guarnizioni siano correttamente inserite nelle proprie sedi in modo da non danneggiarle. Serrare le 4 viti utilizzando la chiave esagonale in dotazione.

8 Pulizia

8.1 Pulizia della finestra

Si consiglia di utilizzare un panno morbido con sapone neutro diluito con acqua o prodotti specifici per la pulizia delle lenti degli occhiali.



Evitare alcool etilico, solventi, idrocarburi idrogenati, acidi forti e alcali. L'utilizzo di detti prodotti danneggia in modo irreparabile la superficie trattata.

9 Informazioni sullo smaltimento e il riciclo

La Direttiva Europea 2012/19/UE sui Rifiuti di Apparecchiature Elettriche ed Elettroniche (RAEE) prevede che questi apparecchi non debbano essere smaltiti nel normale flusso dei rifiuti solidi urbani, ma che vengano raccolti separatamente per ottimizzare il flusso di recupero e riciclaggio dei materiali che li compongono ed impedire potenziali danni per la salute e per l'ambiente dovuti alla presenza di sostanze potenzialmente pericolose.



Il simbolo del bidone barrato è riportato su tutti i prodotti per ricordarlo.

I rifiuti possono essere conferiti agli appositi centri di raccolta, oppure possono essere consegnati gratuitamente al distributore dove è stata acquistata l'apparecchiatura all'atto di acquisto di una nuova equivalente o senza obbligo di un acquisto nuovo per le apparecchiature di dimensioni minori di 25cm. Per ulteriori informazioni sulla corretta dismissione di questi apparecchi ci si può rivolgere al servizio pubblico preposto.

10 Dati tecnici

10.1 Generale

Custodia costruita in acciaio inox brillantato (acciaio legato austenitico inossidabile resistente alla corrosione e al calore):

- AISI 316L
- UNI 6900-71: X 2 Cr Ni Mo 17 12 2
- DIN 17006: X 2 Cr Ni Mo 17 13 2
- N° werkstoff: 1.4404
- AFNOR: Z2 CND 17-12
- BSI: 316S11

La viteria impiegata è realizzata in acciaio legato austenitico inossidabile resistente alla corrosione e al calore:

- ISO: 7380
- AISI: 316
- Qualità ISO: A4
- Classe di resistenza ISO: da 50 a 70

10.2 Meccanica

Brillantatura esterna corpo

Dimensioni (ØxL): 154x375mm

Dimensioni utili interne (WxH): 78x78mm

Lunghezza utile interna: 345mm

Lunghezza utile interna (con alimentatore): 223mm

2 connettori 1/2" GAS per entrata / uscita liquido

La flangia con barriera d'aria è dotata di un raccordo filettato 1/4" Gas e di una riduzione da 1/2" Gas a 1/4" Gas.

Guarnizioni: O-ring

Spessore della flangia (posteriore) : 9mm

Pressacavi: 2xPG13.5 (ottone nichelato)

Raffreddamento con acqua (esempio applicativo con acqua in ingresso ad una temperatura di 20°C):

- temperatura ambientale 200°C, portata acqua 2l/min, temperatura interna custodia 32°C
- temperatura ambientale 300°C, portata acqua 2.2l/min, temperatura interna custodia 41°C
- temperatura ambientale 400°C, portata acqua 6.5l/min, temperatura interna custodia 44°C

Raffreddamento con aria (esempio applicativo con aria in ingresso ad una temperatura di 17°C e una temperatura esterna di 80°C):

- con pressione 1bar, portata aria 10m³/h, temperatura interna custodia 45°C
- con pressione 2bar, portata aria 15m³/h, temperatura interna custodia 35°C

Barriera d'aria (Flangia con 8 fori)

- Ingresso 1/2" GAS maschio
- Pressione d'impianto: 4bar max
- Pressione minima consigliata: 2bar

Barriera d'aria (Flangia con 32 fori)

- Ingresso 1/2" GAS maschio
- Pressione d'impianto: 6bar max
- Pressione minima consigliata: 2bar

Peso unitario: 10.2kg

10.3 Finestre per custodia

Diametro utile: 95mm

Vetro temprato extrachiario

- Spessore: 6mm
 - Temperatura di impiego: 260°C max, gradiente termico 108°C max
-

Vetro al quarzo

- Spessore: 6mm
 - Temperatura di impiego: 400°C max, gradiente termico 220°C max
-

Vetro anti IR

- Spessore: 6.6mm
 - Temperatura di impiego: 260°C max, gradiente termico 108°C max
-

10.4 Elettrico

Alimentatore per telecamera

IN da 100Vac fino a 240Vac, 50/60Hz - OUT 12Vdc, 1.25A

IN 230Vac, 50/60Hz - OUT 24Vac, 400mA

10.5 Ambiente

Installazione per interni ed esterni

Temperatura massima di esercizio (con raffreddamento ad acqua):

- con vetro temprato 260°C max
 - con vetro al quarzo 400°C max
 - con vetro anti IR 260°C max
-

Umidità relativa: da 5% fino a 95%

10.6 Certificazioni

Sicurezza elettrica (CE): EN60065, EN62368-1

Compatibilità elettromagnetica (CE): EN50130-4, EN61000-6-3

Grado di protezione IP: EN60529, IP66/IP67

Certificazione EAC

11 Disegni tecnici

 Le misure indicate sono espresse in millimetri.

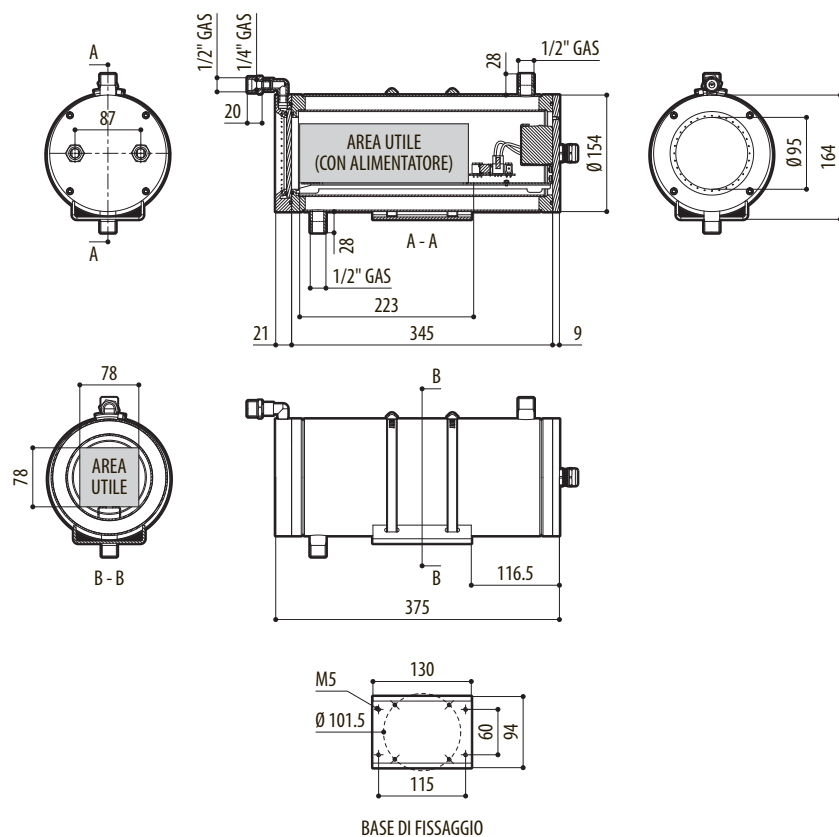


Fig. 12 NXW.

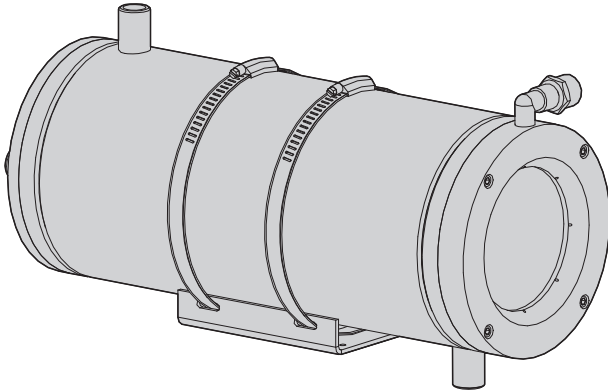


Headquarters Italy VIDEOTEC s.r.l.
Via Friuli, 6 - I-36015 Schio (VI) - Italy
Tel. +39 0445 697411 - Fax +39 0445 697414
Email: info@videotec.com
www.videotec.com

MNVCNXW_2222_IT

NXW

Caisson pour caméra pour haute température



Sommaire

1 À propos de ce mode d'emploi.....	3
1.1 Conventions typographiques.....	3
2 Notes sur le copyright et informations sur les marques de commerce.....	3
3 Normes de sécurité	3
4 Identification	4
4.1 Description et désignation du produit.....	4
4.2 Étiquette de marquage du produit.....	4
5 Préparation du produit en vue de l'utilisation.....	4
5.1 Déballage	4
5.2 Contenu	4
5.3 Élimination sans danger des matériaux d'emballage	4
6 Installation	5
6.1 Préparation du caisson.....	5
6.2 Ouverture du caisson	6
6.3 Installation de la caméra	6
6.4 Fermeture du caisson	6
6.5 Installation du caisson.....	6
6.6 Circuit de refroidissement	7
6.6.1 Exemples de calibrage de l'installation.....	7
6.7 Bride antérieure avec barrière d'air	8
6.7.1 Débits et pressions de l'air conseillés.....	8
7 Accessoires.....	9
7.1 Installation du kit vitre anti IR.....	9
8 Nettoyage	9
8.1 Propreté de la fenêtre.....	9
9 Informations sur l'élimination et le recyclage.....	9
10 Données techniques	10
10.1 Généralités.....	10
10.2 Mécanique.....	10
10.3 Fenêtres pour caisson	11
10.4 Électrique.....	11
10.5 Environnement.....	11
10.6 Certifications.....	11
11 Dessins techniques.....	12

1 À propos de ce mode d'emploi

Avant d'installer et d'utiliser ce produit, lire attentivement toute la documentation fournie. Garder le manuel à portée de main pour des consultations successives.

1.1 Conventions typographiques



DANGER!

Risque élevé.

Risque de choc électrique. Sauf indication contraire, sectionner l'alimentation avant de procéder à toute opération.



ATTENTION!

Risque moyen.

Opération extrêmement importante en vue d'un fonctionnement correct du système. Lire avec attention les opérations indiquées et s'y conformer rigoureusement.



REMARQUE

Description des caractéristiques du système.

Il est conseillé de procéder à une lecture attentive pour une meilleure compréhension des phases suivantes.

2 Notes sur le copyright et informations sur les marques de commerce

Les noms de produit ou de sociétés cités sont des marques de commerce ou des marques de commerce enregistrées.

3 Normes de sécurité



ATTENTION! L'installation et l'entretien du dispositif doivent être effectués exclusivement par un personnel technique qualifié.



ATTENTION! Le circuit électrique auquel l'unité est reliée doit être équipé d'un interrupteur de protection bipolaire automatique de 10A max. La distance minimale entre les de l'interrupteur de protection contacts doit être de 3mm. L'interrupteur doit être équipé de protection contre le courant de défaut vers la terre (différentiel) et le surintensité (magnétothermique).

- Le fabricant décline toute responsabilité pour les dommages éventuels dus à une utilisation non appropriée des appareils mentionnés dans ce manuel. On réserve en outre le droit d'en modifier le contenu sans préavis. La documentation contenue dans ce manuel a été rassemblée et vérifiée avec le plus grand soin. Le fabricant, cependant, ne peut assumer aucune responsabilité dérivant de l'emploi de celle là. La même chose vaut pour chaque personne ou société impliquées dans la création et la production de ce manuel.
- Sectionner l'alimentation avant de procéder à toute opération.
- Ne pas utiliser de câbles usés ou endommagés.
- Ne procéder sous aucun prétexte à des modifications ou des connexions non prévues dans ce manuel. L'utilisation d'appareils non adéquats peut comporter des dangers graves pour la sécurité du personnel et de l'installation.
- Utiliser uniquement des pièces de rechange d'origine. Les pièces non d'origine peuvent être source d'incendies, de choc électrique ou autres.
- Avant de procéder à l'installation, contrôler que le matériel fourni correspond à la commande et examiner les étiquettes de marquage (4.2 Étiquette de marquage du produit, page 4).
- Les matériels sont destinés à être installés dans des **EMPLACEMENTS À ACCÈS RESTREINT** de la part d'un personnel technique spécialisé.

4 Identification

4.1 Description et désignation du produit

La construction exceptionnellement robuste de ce caisson le rend compatible avec les milieux industriels les plus sévères tels que fours, fonderies, et là, où des températures très élevées pourraient nuire au bon fonctionnement d'une caméra.

Le caisson NXW, entièrement construit en acier Inox poli, est constitué d'un corps à chambre double pour la circulation du liquide ou de l'air de refroidissement, fermé par deux flasques d'épaisseur élevée. La flasque postérieure permet le passage des câbles à travers deux presse-étoupe PG13.5. La bride antérieure peut être munie d'une vitre trempée ou d'une vitre au quartz pour des températures supérieures.

4.2 Étiquette de marquage du produit

Voir l'étiquette positionné sur le produit.

Contrôler l'étiquette placée sur l'emballage du produit.

5 Préparation du produit en vue de l'utilisation



Toute modification non approuvée expressément par le fabricant entraînera l'annulation de la garantie.

5.1 Déballage

Lors de la livraison du produit, vérifier que l'emballage est en bon état et l'absence de tout signe évident de chute ou d'abrasion.

En cas de dommages évidents, contacter immédiatement le fournisseur.

En cas de retour du produit défectueux, il est conseillé d'utiliser l'emballage original pour le transport.

Conserver l'emballage en cas de nécessité d'expédition du produit pour réparation.

5.2 Contenu

Contrôler que le contenu correspond à la liste matériel indiquée ci-dessous:

- Caisson
- Dotation pour caisson:
 - Clé Allen
 - Entretoises
 - Vis
- Manuel d'instructions

5.3 Élimination sans danger des matériaux d'emballage

Le matériel d'emballage est entièrement composé de matériaux recyclables. Le technicien chargé de l'installation est tenu de l'éliminer conformément aux dispositions en matière de collecte sélective et selon les normes en vigueur dans le pays d'utilisation.

6 Installation

6.1 Préparation du caisson

Démontez la bride antérieure (01) du caisson en dévissant les 4 vis (02) à l'aide de la clé hexagonale (03) fournie.

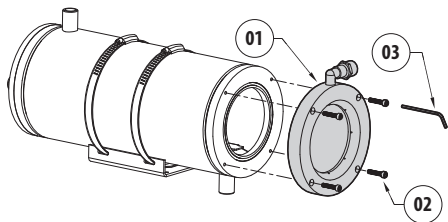


Fig. 1

Positionner le verre dans son logement sur la bride après avoir installé les anneaux toriques conformément à la séquence indiquée.

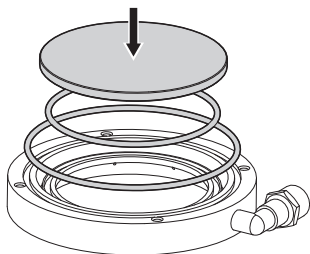


Fig. 2

En cas de verre filtre anti IR, voir les instructions spécifiques de montage suivantes (7.1 Installation du kit verre anti IR, page 9).

Positionner la bride frontale sur le corps du caisson en ayant soin de ne pas endommager les joints d'étanchéité (contrôler que ces derniers sont correctement installés dans leur logement). Serrer les 4 vis au moyen de la clé hexagonale fournie.

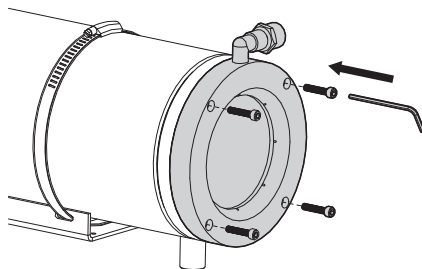


Fig. 3

6.2 Ouverture du caisson

Dévissez les vis (01) présentes sur la flasque postérieure (02) à l'aide de la clé hexagonale (03) fournie.

Retirer le fond postérieur du caisson en ayant soin que le joint reste positionné dans son logement.

Vous pouvez ainsi accéder à l'intérieur du caisson sans le démonter de la bride de support.

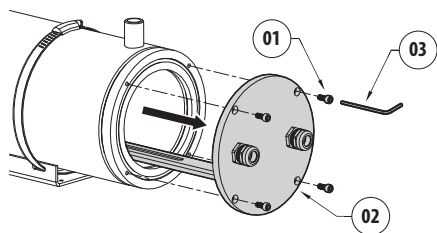


Fig. 4

6.3 Installation de la caméra

Ouvrir le caisson selon la description dans le chapitre correspondant (6.2 Ouverture du caisson, page 6).

Monter la caméra sur la glissière à l'aide de l'entretoise isolante (01), de la vis de 1/4" et de la rondelle (02) fournies. Utiliser si nécessaire les entretoises pour positionner correctement la caméra et l'optique.

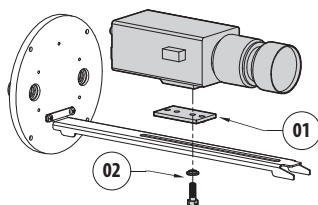


Fig. 5

Insérer les câbles à travers les presse-étoupe et exécuter les connexions électriques nécessaires. S'assurer que les presse-étoupe sont fixés solidement.

6.4 Fermeture du caisson



Faire attention pendant la fixation. Couple de serrage: 4Nm.

Au terme des opérations d'installation et de câblage, refermer le produit.

Veillez à ne pas abîmer le joint d'étanchéité. S'assurer que le joint étanchel est correctement introduit dans son siège.

6.5 Installation du caisson



Faire attention pendant la fixation. Couple de serrage: 4Nm.

Fixez le caisson à la bride à l'aide des vis fournies.

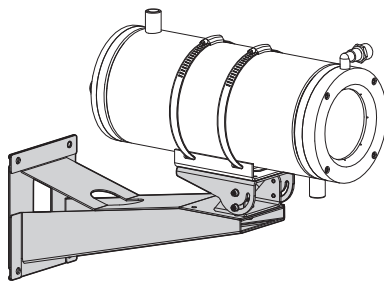


Fig. 6

6.6 Circuit de refroidissement

Le caisson est muni d'un raccord d'entrée et d'un raccord de sortie du circuit de refroidissement à filetage gaz de 1/2".

Les exigences d'installation et d'élimination de la chaleur imposent d'adapter la position des raccords d'entrée et de sortie du circuit de refroidissement selon la situation spécifique.

Les deux raccords de branchement du circuit de refroidissement proches de la bride antérieure (01) et postérieure (02) peuvent être utilisés sans aucune distinction pour l'entrée ou la sortie du liquide de refroidissement.

Vous pouvez, au besoin, faire pivoter le caisson par rapport à sa base de fixation en desserrant les deux colliers de fixation (03).

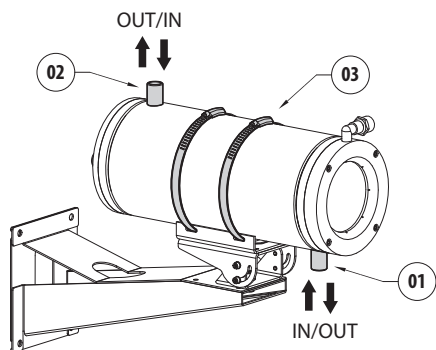


Fig. 7

6.6.1 Exemples de calibrage de l'installation

Les données expérimentales suivantes se rapportent à la consommation d'eau comme liquide de refroidissement, avec une température à l'entrée du caisson de 20°C et une température ambiante maximale de 400°C.

CIRCUIT DE REFOUDDISSEMENT À L'EAU (AVEC EAU EN ENTRÉE À UNE TEMPÉRATURE DE 20°C)

T environnement (°C)	Débit d'eau (l/min)	T interne caisson (°C)
200	2	32
300	2.2	41
400	6.5	44

Tab. 1

Les données expérimentales suivantes se rapportent au refroidissement à l'air, avec une température à l'entrée du caisson de 17°C et une température ambiante maximale de 80°C.

CIRCUIT DE REFOUDDISSEMENT À L'AIR (AVEC AIR EN ENTRÉE À UNE TEMPÉRATURE DE 17°C)

T environnement (°C)	Pression de l'air (bar)	Débit de l'air (m³/h)	T interne caisson (°C)
80	1	10	45
80	2	15	35

Tab. 2

6.7 Bride antérieure avec barrière d'air

La flasque avec barrière d'air est dotée d'un raccord fileté gaz de 1/4" et d'une réduction gaz de 1/2" à 1/4". Le circuit d'air comprimé fourni par un compresseur doit être relié à ce raccord.

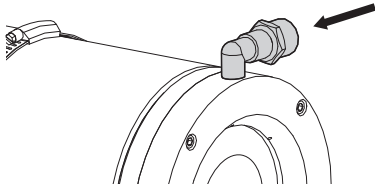


Fig. 8

6.7.1 Débits et pressions de l'air conseillés

En amont du caisson, il est recommandé d'installer :

- Manomètre.
- Vanne de réglage.
- Groupe de filtres en option pour le nettoyage de l'air comprimé (NXFIGRU2, filtration 0.1µm).

Cela permet de :

- Connaître et régler la pression à fournir à la barrière d'air.
- Effectuer un entretien plus simple.



Des valeurs de pression trop élevées peuvent briser la fenêtre. Respectez scrupuleusement les valeurs maximales répertoriées ci-dessous:

Flasque à 8 trous avec double verre anti-IR

- Pression de l'installation: 4bar max
- Pression minimale conseillée: 2bar

Flasque à 32 trous avec verre trempé

- Pression de l'installation: 6bar max
- Pression minimale conseillée: 2bar

À titre d'exemple, vous trouverez ci-dessous les graphiques utiles de la pression d'installation-pression de sortie et pression d'installation-débit d'air pour le calibrage du compresseur. Toutes les valeurs doivent être uniquement prises en considération à titre indicatif.

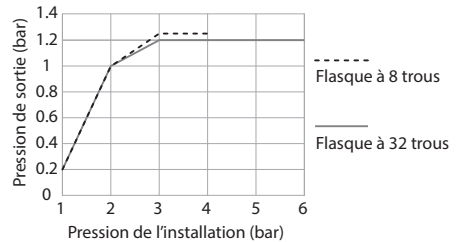


Fig. 9

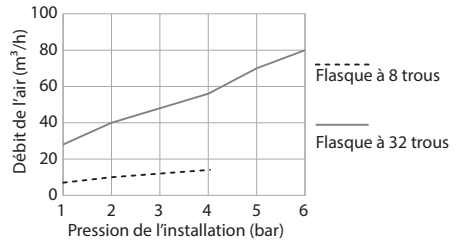


Fig. 10

7 Accessoires

7.1 Installation du kit vitre anti IR

Le kit est constitué d'une paire de vitres anti-IR et d'une flasque antérieure spéciale avec barrière d'air différente de la flasque standard qui doit être remplacée.

Démontez la bride antérieure du caisson en dévissant les 4 vis à l'aide de clé hexagonale fournie.

Insérez les joints O-Ring (01), (02) dans leurs logements respectifs de la flasque. Placez les deux verres (03) dans leur logement prévu à cet effet.

⚠ Orientation correcte des vitres anti IR. Le marquage (04) identifie la surface de chaque verre, qui doit être tournée vers l'extérieur du caisson.

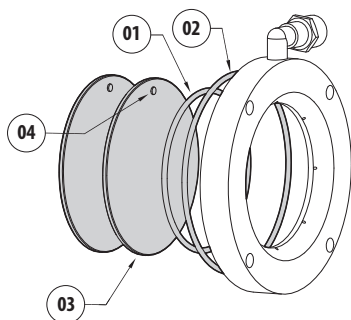


Fig. 11

Placez la nouvelle bride antérieure sur le corps du caisson en faisant attention que les garnitures d'étanchéité soient correctement insérées dans leurs logements de façon à ne pas les endommager. Serrer les 4 vis au moyen de la clé hexagonale fournie.

8 Nettoyage

8.1 Propreté de la fenêtre

Il est conseillé d'utiliser un chiffon souple avec des savons neutres dilués avec de l'eau ou des produits spécifiques pour le nettoyage des verres des lunettes.

⚠ On doit éviter alcool éthylique, solvants, hydrocarbures hydro-génés, acides forts et alcali. L'emploi de ce type de produits abîme d'une façon irréparable la surface traitée.

9 Informations sur l'élimination et le recyclage

La Directive Européenne 2012/19/UE sur les déchets d'équipements électriques et électroniques (DEEE) exige que ces dispositifs ne doivent pas être éliminés dans le flux normal de déchets solides municipaux, mais ils doivent être collectés séparément afin d'optimiser le flux de récupération et de recyclage des matériaux qu'ils contiennent et pour réduire l'impact sur la santé humaine et l'environnement en raison de la présence de substances potentiellement dangereuses.

♻ Le symbole de la poubelle sur roues barrée d'une croix figure sur tous les produits pour le rappeler.

Les déchets peuvent être livrés aux centres de collecte appropriés ou peuvent être livrés gratuitement au distributeur où vous avez acheté l'équipement, au moment de l'achat d'un nouvel dispositif équivalent ou sans obligation d'achat pour un équipement de taille inférieure de 25cm.

Pour plus d'informations sur l'élimination correcte de ces dispositifs, vous pouvez contacter le service public responsable.

10 Données techniques

10.1 Généralités

Caisson en acier inoxydable (acier lié austénitique inoxydable résistant à la corrosion et à la chaleur):

- AISI 316L
- UNI 6900-71: X 2 Cr Ni Mo 17 12 2
- DIN 17006: X 2 Cr Ni Mo 17 13 2
- N° werkstoff: 1.4404
- AFNOR: Z2 CND 17-12
- BSI: 316S11

Visserie en alliage austénitique inoxydable résistant à la corrosion et à la chaleur:

- ISO: 7380
- AISI: 316
- Qualité ISO: A4
- Classe de résistance ISO: de 50 à 70

10.2 Mécanique

Polissage extérieur du corps et des faces avant et arrière

Dimensions (ØxL): 154x375mm

Surface intérieure utile (WxH): 78x78mm

Longueur intérieure utile: 345mm

Longueur intérieure utile (avec alimentation): 223mm

2 buses 1/2" GAS pour circulation du fluide

La flasque avec barrière d'air est dotée d'un raccord fileté gaz de 1/4" et d'une réduction gaz de 1/2" à 1/4".

Joints: O-ring

Épaisseur de la bride (arrière) : 9mm

Presse-étoupes: 2xPG13.5 (laiton nickelé)

Refroidissement par eau (exemple d'application avec de l'eau à 20°C):

- température ambiante 200°C, débit d'eau 2l/min, température interne caisson 32°C
- température ambiante 300°C, débit d'eau 2.2l/min, température interne caisson 41°C
- température ambiante 400°C, débit d'eau 6.5l/min, température interne caisson 44°C

Refroidissement par air (Exemple d'application avec de l'air à 17°C et température extérieure 80°C):

- avec pression 1bar, débit d'air 10m³/h, température interne caisson 45°C
- avec pression 2bar, débit d'air 15m³/h, température interne caisson 35°C

Barrière d'air (Flasque à 8 trous)

- Buse d'entrée: 1/2" GAS mâle
- Pression de l'installation : 4bar max
- Pression minimale conseillée : 2bar

Barrière d'air (Flasque à 32 trous)

- Buse d'entrée: 1/2" GAS mâle
- Pression de l'installation : 6bar max
- Pression minimale conseillée : 2bar

Poids net: 10.2kg

10.3 Fenêtres pour caisson

Diamètre utile: 95mm

Vitre trempé

- Épaisseur: 6mm
- Température d'exercice: 260°C max, gradient thermique 108°C max

Vitre en quartz

- Épaisseur: 6mm
- Température d'exercice: 400°C max, gradient thermique 220°C max

Verre anti-IR

- Épaisseur: 6.6mm
- Température d'exercice: 260°C max, gradient thermique 108°C max

10.4 Électrique

Alimentation pour caméra

IN de 100Vac jusqu'à 240Vac, 50/60Hz - OUT 12Vdc, 1.25A

IN 230Vac, 50/60Hz - OUT 24Vac, 400mA

10.5 Environnement

Installation d'intérieur et d'extérieur

Température maximale de fonctionnement (avec refroidissement à l'eau):

- avec verre trempé 260°C max
- avec verre au quartz 400°C max
- avec verre anti-IR 260°C max

Humidité relative: de 5% jusqu'à 95%

10.6 Certifications

Sécurité électrique (CE): EN60065, EN62368-1

Compatibilité électromagnétique (CE): EN50130-4, EN61000-6-3

Degré de protection IP: EN60529, IP66/IP67

Certification EAC

11 Dessins techniques

i Les tailles indiquées sont en millimètres.

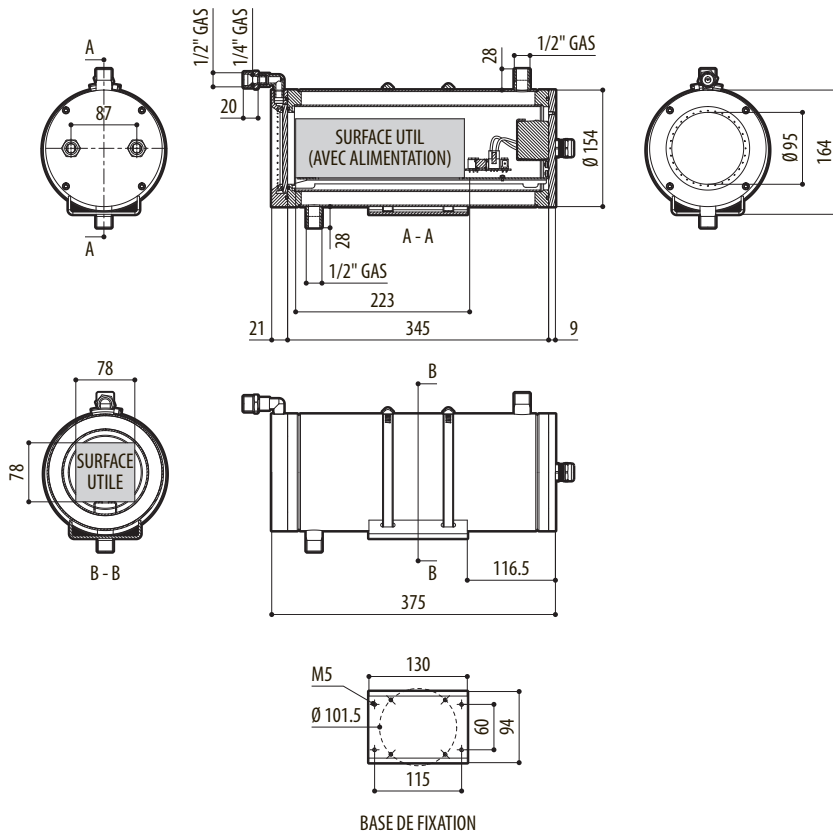


Fig. 12 NXW.

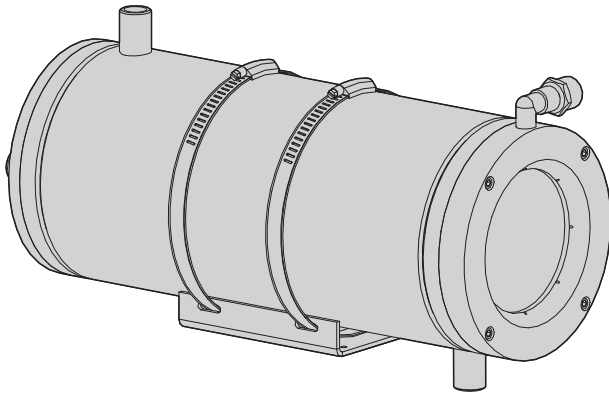


Headquarters Italy VIDEOTEC s.r.l.
Via Friuli, 6 - I-36015 Schio (VI) - Italy
Tel. +39 0445 697411 - Fax +39 0445 697414
Email: info@videotec.com
www.videotec.com

MNVCNXW_2222_FR

NXW

Wassergekühltes Kameragehäuse



Inhaltsverzeichnis

1 Allgemeines	3
1.1 Schreibweisen	3
2 Anmerkungen zum Copyright und Informationen zu den Handelsmarken	3
3 Sicherheitsnormen	3
4 Identifizierung	4
4.1 Beschreibung und Bezeichnung des Produktes	4
4.2 Schildchen mit Produktkennzeichnung	4
5 Vorbereitung des Produktes auf den Gebrauch	4
5.1 Entfernen der Verpackung	4
5.2 Inhalt	4
5.3 Sichere Entsorgung der Verpackungsmaterialien	4
6 Installation	5
6.1 Herrichten des Gehäuses	5
6.2 Öffnen des Gehäuses	6
6.3 Installation der Kamera	6
6.4 Schließen des Gehäuses	6
6.5 Installation des Gehäuse	6
6.6 Kühlkreislauf	7
6.6.1 Beispiele zur Anlagenbemessung	7
6.7 Vorderer Flansch mit Luftbarriere	8
6.7.1 Empfohlener Luftdurchsatz und -druck	8
7 Zubehör	9
7.1 Installation des Anti-IR-Glas-Kits	9
8 Reinigung	9
8.1 Fensterreinigung	9
9 Informationen bezüglich Entsorgung und Recycling	9
10 Technische Daten	10
10.1 Allgemeines	10
10.2 Mechanik	10
10.3 Fenster für Gehäuse	11
10.4 Elektrik	11
10.5 Umgebung	11
10.6 Zertifizierungen	11
11 Technische Zeichnungen	12

1 Allgemeines

Vor der Installation und Anwendung dieses Produkts ist die gesamte mitgelieferte Dokumentation aufmerksam zu lesen. Zum späteren Nachschlagen das Handbuch in Reichweite aufbewahren.

1.1 Schreibweisen



GEFAHR!

Erhöhte Gefährdung. Stromschlaggefahr. Falls nichts anderes angegeben, unterbrechen Sie die Stromversorgung, bevor die beschriebenen Arbeiten durchgeführt werden.



ACHTUNG!

Mittlere Gefährdung. Der genannte Vorgang hat große Bedeutung für den einwandfreien Betrieb des Systems. Es wird gebeten, sich die Verfahrensweise durchzulesen und zu befolgen.



ANMERKUNG

Beschreibung der Systemmerkmale. Eine sorgfältige Lektüre wird empfohlen, um das Verständnis der folgenden Phasen zu gewährleisten.

2 Anmerkungen zum Copyright und Informationen zu den Handelsmarken

Die angeführten Produkt- oder Firmennamen sind Handelsmarken oder eingetragene Handelsmarken.

3 Sicherheitsnormen



ACHTUNG! Die Installation und Wartung der Vorrichtung ist technischen Fachleuten vorbehalten.



ACHTUNG! Die elektrische Anlage, an der die Einheit angeschlossen ist, muss mit einem automatischen zweipoligen Schutzschalter 10A max ausgestattet sein. Zwischen den Schutzschalter Kontakten muss mindestens ein Abstand von 3mm vorhanden sein. Der Schalter muss eine Schutzeinrichtung gegen Erde Fehlerstrom (Differenzial) und gegen Überstrom haben (magnetothermisch).

- Der Hersteller lehnt jede Haftung für eventuelle Schäden ab, die aufgrund unsachgemäßer Anwendung der in diesem Handbuch erwähnten Geräte entstanden ist. Ferner behält er sich das Recht vor, den Inhalt ohne Vorkündigung abzuändern. Die Dokumentation in diesem Handbuch wurde sorgfältig ausgeführt und überprüft. Der Hersteller kann dennoch keine Haftung für die Verwendung übernehmen. Dasselbe gilt für jede Person oder Gesellschaft, die bei der Schaffung oder Produktion von diesem Handbuch miteinbezogen ist.
- Unterbrechen Sie die Stromversorgung, bevor die beschriebenen Arbeiten durchgeführt werden.
- Es dürfen keine Kabel mit Verschleiß- oder Alterungsspuren verwendet werden.
- Unter keinen Umständen dürfen Veränderungen oder Anschlüsse vorgenommen werden, die in diesem Handbuch nicht genannt sind. Der Gebrauch ungeeigneten Geräts kann die Sicherheit des Personals und der Anlage schwer gefährden.
- Es dürfen nur Original-Ersatzteile verwendet werden. Nicht originale Ersatzteile können zu Bränden, elektrischen Entladungen oder anderen Gefahren führen.
- Vor der Installation ist anhand des Kennzeichnungsschildes nachzuprüfen, ob das gelieferte Material die gewünschten Eigenschaften (4.2 Schildchen mit Produktkennzeichnung, Seite 4).
- Das Gerät ist für eine Installation in einem Bereich mit beschränktem Zugang für spezialisierte Techniker vorgesehen.

4 Identifizierung

4.1 Beschreibung und Bezeichnung des Produktes

Wegen seiner außergewöhnlich robusten Bauweise ist dieses Gehäuse für die härtesten Anwendungsfälle geeignet, etwa die Überwachung von Öfen, Gießereien und anderen Umgebungen, in denen sich hohe Temperaturen entwickeln.

Das Gehäuse NXW, komplett aus poliertem rostfreiem Stahl, besteht aus einem Korpus mit Doppelkammer für die Zirkulation der Kühlflüssigkeit oder -luft und wird mit zwei dickwandigen Flanschen geschlossen. Der hintere Flansch ermöglicht die Kabelführung über zwei Kabelschellen PG13.5. Der vordere Flansch kann mit gehärtetem Glas oder Quarzglas für höhere Temperaturen ausgestattet werden.

4.2 Schildchen mit Produktkennzeichnung

Siehe das Label auf dem Produkt.

Das an der Produktverpackung angebrachte Etikett kontrollieren.

5 Vorbereitung des Produktes auf den Gebrauch



Jede vom Hersteller nicht ausdrücklich genehmigte Veränderung führt zum Verfall der Gewährleistungsrechte.

5.1 Entfernen der Verpackung

Bei der Lieferung des Produktes ist zu prüfen, ob die Verpackung intakt ist oder offensichtliche Anzeichen von Stürzen oder Abrieb aufweist.

Bei offensichtlichen Schadensspuren an der Verpackung muss umgehend der Lieferant verständigt werden.

Im Falle der Rückgabe des nicht korrekt funktionierenden Produktes empfiehlt sich die Verwendung der Originalverpackung für den Transport.

Bewahren Sie die Verpackung auf für den Fall, dass das Produkt zur Reparatur eingesendet werden muss.

5.2 Inhalt

Prüfen Sie, ob der Inhalt mit der nachstehenden Materialliste übereinstimmt:

- Gehäuse
- Innensechskantschlüssel:
 - Sechskantschlüssel
 - Abstandsstücke
 - Schrauben
- Bedienungsanleitung

5.3 Sichere Entsorgung der Verpackungsmaterialien

Die Verpackungsmaterialien sind vollständig wiederverwertbar. Es ist Sache des Installationstechnikers, sie getrennt, auf jeden Fall aber nach den geltenden Vorschriften des Anwendungslandes zu entsorgen.

6 Installation

6.1 Herrichten des Gehäuses

Den vorderen Flansch (01) des Gehäuses abmontieren, indem die vier Schrauben (02) mit dem im Lieferumfang enthaltenen Sechskantschlüssel (03) ausgedreht werden.

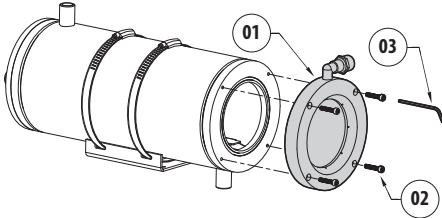


Abb. 1

Das Glas in seiner Halterung im Flansch positionieren, nachdem die Dichtungs-O-Ringe korrekt in der Reihenfolge eingesetzt wurden.

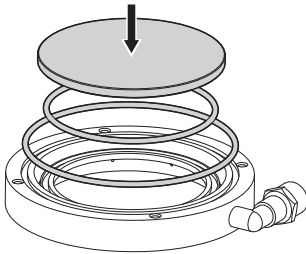


Abb. 2

Bei Anti-IR-Filterglas die folgenden speziellen Montageanweisungen beachten (7.1 Installation des Anti-IR-Glas-Kits, Seite 9).

Positionieren Sie den Vorderflansch des Gehäuses auf dem Gehäuse. Achten Sie darauf, daß die Abdichtungen korrekt sitzen, damit sie keinen Schaden nehmen. Die 4 Schrauben werden mit dem beiliegenden Sechskantschlüssel angezogen.

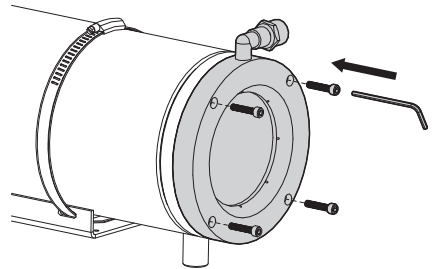


Abb. 3

6.2 Öffnen des Gehäuses

Die Schrauben (01) des hinteren Flanschs (02) mithilfe des im Lieferumfang enthaltenen Sechskantschlüssels (03) ausdrehen.

Dann die hintere Abdeckplatte des Gehäuses entnehmen, wobei die Dichtung sitzen bleibt.

Dadurch entsteht die Möglichkeit, auf das Gehäuseinnere zuzugreifen, ohne das Gehäuse von der Bügelhalterung abzumontieren.

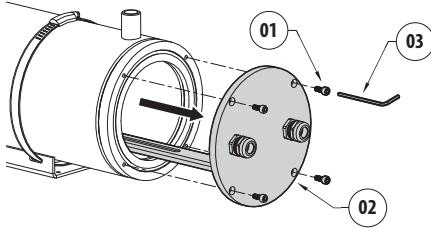


Abb. 4

6.3 Installation der Kamera

Das Gehäuse nach der Erläuterung im zugehörigen Kapitel öffnen (6.2 Öffnen des Gehäuses, Seite 6).

Die Kamera auf den Schlitten montieren. Hierzu das im Lieferumfang enthaltene isolierende Abstandsstück (01) sowie die 1/4"-Schraube und die Unterlegscheibe (02) verwenden. Falls notwendig, die Abstandsstücke verwenden, um die Kamera und die Optik korrekt zu positionieren.

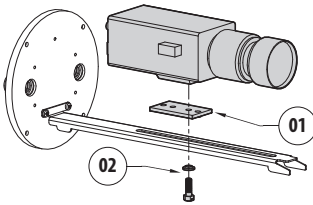


Abb. 5

Die Kabel über die Kabelschellen einführen und die notwendigen elektrischen Anschlüsse vornehmen. Die Kabelschellen müssen gut befestigt sein.

6.4 Schließen des Gehäuses



Auf die Befestigung achten.
Anzugsdrehmoment: 4Nm.

Nach Beendigung der Installation und der Verkabelung das Produkt wieder schließen.

Darauf achten, die Dichtung nicht zu beschädigen. Sich vergewissern, dass die Dichtung korrekt in die eigene Sitz eingeführt ist.

6.5 Installation des Gehäuses



Auf die Befestigung achten.
Anzugsdrehmoment: 4Nm.

Das Gehäuse mit den im Lieferumfang enthaltenen Schrauben auf dem Bügel befestigen.

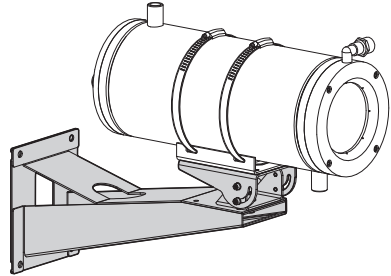


Abb. 6

6.6 Kühlkreislauf

Das Gehäuse verfügt über ein Anschlussstück am Eingang und Ausgang des Kühlkreislaufs. Die Anschlussstücke besitzen beide ein 1/2"-Gasgewinde.

Die Installations- und Wärmebeseitigungsanforderungen geben vor, dass die Position der Anschlussstücke am Eingang und am Ausgang des Kühlkreislaufs funktionell der spezifischen Situation angepasst werden.

Die beiden Anschlussstücke für die Verbindung des Kühlkreislaufs befinden sich in der Nähe des vorderen (01) und des hinteren Flanschs (02). Sie können unterschiedslos für den Eintritt oder den Austritt der Kühlflüssigkeit verwendet werden.

Falls notwendig, kann zudem das Gehäuse im Hinblick auf die Befestigungsbasis gedreht werden, wobei die beiden Befestigungsschellen (03) gelöst werden.

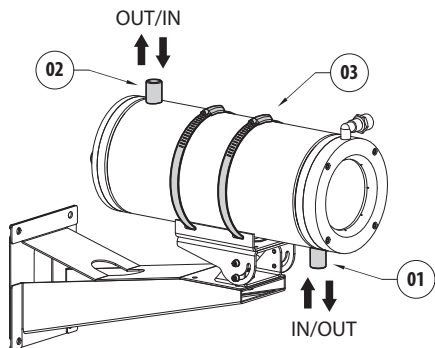


Abb. 7

6.6.1 Beispiele zur Anlagenbemessung

Die folgenden Erfahrungsdaten beziehen sich auf den Einsatz von Wasser als Kühlflüssigkeit, und zwar mit einer Eintrittstemperatur am Gehäuse von 20°C und einer maximalen Umgebungstemperatur von 400°C.

WASSERGEKÜHLTER KREISLAUF (MIT WASSER AM EINGANG BEI EINER TEMPERATUR VON 20°C)		
T Umgebung (°C)	Wassermenge (l/min)	T Gehäuseinneres (°C)
200	2	32
300	2.2	41
400	6.5	44

Tab. 1

Die folgenden Erfahrungsdaten beziehen sich auf die Kühlung mit Luft, und zwar mit einer Eintrittstemperatur am Gehäuse von 17°C und einer maximalen Umgebungstemperatur von 80°C.

LUFTGEKÜHLTER KREISLAUF (MIT LUFT AM EINGANG BEI EINER TEMPERATUR VON 17°C)			
T Umgebung (°C)	Luftdruck (bar)	Luftdurchsatz (m³/h)	T Gehäuseinneres (°C)
80	1	10	45
80	2	15	35

Tab. 2

6.7 Vorderer Flansch mit Luftbarriere

Der Flansch mit Luftbarriere besitzt ein Anschlussstück mit einem 1/4"-Gasgewinde und eine von 1/2"-Gas- bis 1/4"-Gasreduzierung. An dieses Anschlussstück muss der Kreislauf der Druckluft, die von einem Kompressor kommt, angeschlossen werden.

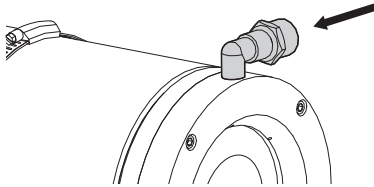


Abb. 8

6.7.1 Empfohlener Luftdurchsatz und -druck

Es wird empfohlen, vorgelagert am Gehäuse folgendes zu montieren:

- Manometer.
- Regelventil.
- Optionale Filtereinheit für die Reinigung der Druckluft (NXFIGRU2, Filtration 0.1µm).

So wird folgendes ermöglicht:

- Das Erkennen und die Regulierung des an die Luftbarriere abgegebenen Drucks.
- Durchführung einer einfacheren Wartung.



Zu hohe Druckwerte können zum Bruch des Fensters führen. Die unten aufgeführten Höchstwerte sind strikt einzuhalten:

8-Loch-Flansch mit zweifachem Anti-IR-Glas

- **Anlagendruck: 4bar max**
- **Empfohlener Mindestdruck: 2bar**

32-Loch-Flansch mit gehärtetem Glas

- **Anlagendruck: 6bar max**
- **Empfohlener Mindestdruck: 2bar**

Nachfolgend sind als Beispiel Grafiken mit Druck Anlage - Druck Austritt und Druck Anlage - Luftdurchsatz angegeben, die für die Auslegung des Kompressors nützlich sind. Alle Werte dienen rein anschaulichen Zwecken.

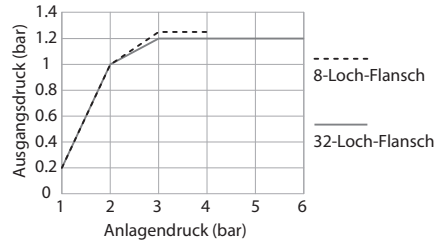


Abb. 9

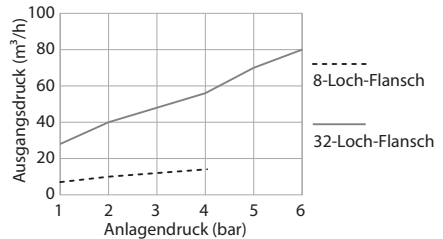


Abb. 10

7 Zubehör

7.1 Installation des Anti-IR-Glas-Kits

Das Kit besteht aus einem Anti-IR-Gläserpaar und einem Spezialflansch mit einer vom Standard abweichenden Luftbarriere, die ausgetauscht werden muss.

Den vorderen Flansch des Gehäuses abmontieren, indem die vier Schrauben mit dem im Lieferumfang enthaltenen Sechskantschlüssel ausgedreht werden.

Den O-Ring (01), (02) in die entsprechenden im Flansch dafür ausgesparten Sitze einfügen. Das Gläserpaar (03) im entsprechenden Sitz positionieren.

! Richtige Ausrichtung der Anti-IR-Gläser. Die Kennzeichnung (04) jeder Glasoberfläche gibt an, welches Glas zum Gehäuseäußeren schauen muss.

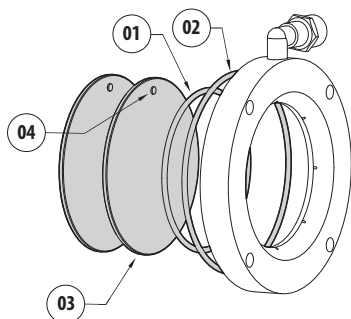


Abb. 11

Den neuen vorderen Flansch auf dem Gehäusekorpus ausrichten. Dabei darauf achten, dass die Dichtungen korrekt in ihren Sitzen eingesetzt sind, damit sie nicht beschädigt werden. Die 4 Schrauben werden mit dem beiliegenden Sechskantschlüssel angezogen.

8 Reinigung

8.1 Fensterreinigung

Es wird empfohlen, ein weiches Tuch und neutrale mit Wasser verdünnte Seife oder ein spezifisches Reinigungsmittel für Brillengläser zu verwenden.



Zu vermeiden sind Äthylalkohol, Lösungsmittel, hydrierte Kohlenwasserstoffe, starke Säuren und alkalische Lösungen. Diese Produkte können die behandelte Oberfläche beschädigen.

9 Informationen bezüglich Entsorgung und Recycling

Die EU-Richtlinie 2012/19/EU über Elektro- und Elektronik-Altgeräte (WEEE) verpflichtet, dass diese Geräte nicht zusammenn mit festen Haushaltsabfällen entsorgt werden sollten. Diese besonderen Abfällen müssen separat gesammelt werden, um den Rückgewinnungsstrom und das Recycling der darin enthaltenen Materialien zu optimieren, sowie zur Minderung der Einwirkung auf die menschliche Gesundheit und Umwelt aufgrund des Vorhandenseins von potentiell gefährlichen Stoffen.



Das Symbol des gekreuzten Müllbehälters ist auf allen Produkten markiert, um sich daran zu erinnern.

Die Abfälle dürfen an die ausgewiesenen Müllsammelstellen gebracht werden. Andernfalls darf man es kostenlos an den Vertragshändler bringen, bei dem das Gerät gekauft wurde. Das kann beim Einkauf von neuen gleichartigen Produkten passieren oder auch ohne Verpflichtung eines Neukaufes, falls die Größe des Gerätes kleiner als 25 cm ist.

Mehr Informationen über die korrekte Entsorgung dieser Geräte erhalten Sie bei der entsprechenden Behörde.

10 Technische Daten

10.1 Allgemeines

Gehäuse aus poliertem rostfreien Stahl (hitze- und korrosionsbeständiger, legierter austenitischer rostfreier Stahl):

- AISI 316L
- UNI 6900-71: X 2 Cr Ni Mo 17 12 2
- DIN 17006: X 2 Cr Ni Mo 17 13 2
- N° werkstoff: 1.4404
- AFNOR: Z2 CND 17-12
- BSI: 316S11

Die verwendeten Schrauben bestehen aus legiertem Austenitstahl, der rostfrei, korrosions- und hitzebeständig ist:

- ISO: 7380
- AISI: 316
- Qualität ISO: A4
- Widerstandsklasse ISO: von 50 und 70

10.2 Mechanik

Externer Blankschliff

Abmessungen (ØxL): 154x375mm

Innere Nutzabmessungen (WxH): 78x78mm

Innere Nutzlänge: 345mm

Innere Nutzlänge (mit Netzteil): 223mm

2x1/2" GAS- Verbinder für Eingang/ Ausgang der Kühlflüssigkeit

Der Flansch mit Luftbarriere besitzt ein Anschlussstück mit einem 1/4"-Gaswinde und eine von 1/2"-Gas- bis 1/4"-Gasreduzierung.

Dichtungen: O-ring

Stärke der Flansche (Hinterseite) : 9mm

Kabelverschraubungen: 2xPG13.5 (vernickelter Messing)

Wasserkühlung (anwendungsbeispiel mit Eingangswasser mit Temperatur von 20°C):

- Umgebungstemperatur 200°C, Wasserdurchfluss 2l/min, Gehäuseinnentemperatur 32°C
- Umgebungstemperatur 300°C, Wasserdurchfluss 2.2l/min, Gehäuseinnentemperatur 41°C
- Umgebungstemperatur 400°C, Wasserdurchfluss 6.5l/min, Gehäuseinnentemperatur 44°C

Luftkühlung (Anwendungsbeispiel mit Eingangsluft mit Temperatur von 17°C, Außentemperatur 80°C):

- mit Druck 1bar, Luftdurchsatz 10m³/h, Gehäuseinnentemperatur 45°C
- mit Druck 2bar, Luftdurchsatz 15m³/h, Gehäuseinnentemperatur 35°C

Luftbarriere (8-Loch-Flansch)

- Eingang 1/2" GAS, Feder
- Anlagendruck: 4bar max
- Empfohlener Mindestdruck: 2bar

Luftbarriere (32-Loch-Flansch)

- Eingang 1/2" GAS, Feder
- Anlagendruck: 6bar max
- Empfohlener Mindestdruck: 2bar

Einheitsgewicht: 10.2kg

10.3 Fenster für Gehäuse

Nutzdurchmesser: 95mm

Extra-klares gehärtetes Glas

- Stärke: 6mm
- Betriebstemperatur: 260°C max, Temperaturgradient 108°C max

Quarzglas

- Stärke: 6mm
- Betriebstemperatur: 400°C max, Wärmegradient 220°C max

Anti-IR-Glas

- Stärke: 6.6mm
- Betriebstemperatur: 260°C max, Temperaturgradient 108°C max

10.4 Elektrik

Kameranetzteil

IN von 100Vac bis zu 240Vac, 50/60Hz - OUT 12Vdc, 1.25A

IN 230Vac, 50/60Hz - OUT 24Vac, 400mA

10.5 Umgebung

Montage für den Innen- und Außenbereich

Max. Betriebstemperatur (mit Wasserkühlung):

- mit gehärtetem Glas 260°C max
- mit Quarzglas 400°C max
- mit Anti-IR-Glas 260°C max

Relative Luftfeuchtigkeit: von 5% bis zu 95%

10.6 Zertifizierungen

Elektrische Sicherheit (CE): EN60065, EN62368-1

Elektromagnetische Verträglichkeit (CE): EN50130-4, EN61000-6-3

Schutzart IP: EN60529, IP66/IP67

EAC-Zertifizierung

11 Technische Zeichnungen



Die Maße sind in Millimetern angegeben.

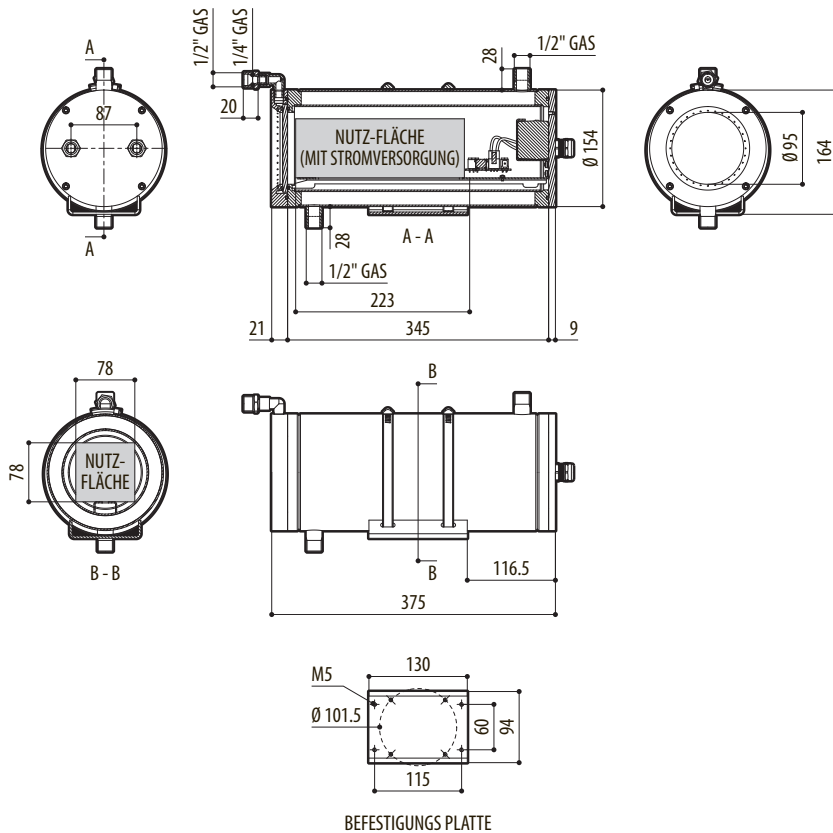


Abb. 12 NXW.

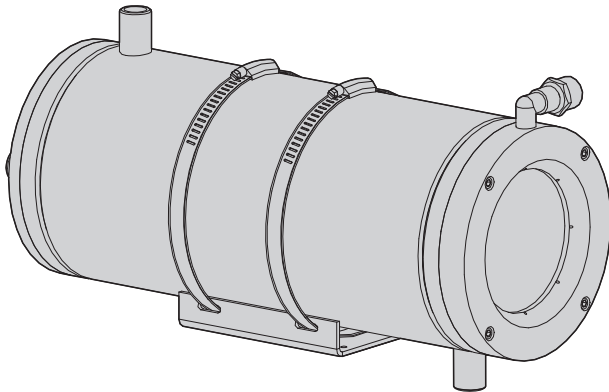


Headquarters Italy VIDEOTECH s.r.l.
 Via Friuli, 6 - I-36015 Schio (VI) - Italy
 Tel. +39 0445 697411 - Fax +39 0445 697414
 Email: info@videotec.com
 www.videotec.com



NXW

Кожух для камеры с жидкостным охлаждением



Комплект оборудования

1 О настоящем руководстве.....	3
1.1 Типографские условные обозначения	3
2 Примечания в отношении авторского права и информация о торговых марках.....	3
3 Правила техники безопасности.....	3
4 Обозначение	4
4.1 Описание и обозначение типа устройства	4
4.2 Этикетка с маркировкой продукта.....	4
5 Подготовка устройства к использованию.....	4
5.1 Распаковка	4
5.2 Комплект оборудования	4
5.3 Безопасная утилизация упаковочных материалов	4
6 Монтаж	5
6.1 Установка предохранительного кожуха	5
6.2 Открывание кожуха.....	6
6.3 Установка камеры.....	6
6.4 Закрывание кожуха.....	6
6.5 Установка предохранительного кожуха.....	6
6.6 Контур охлаждения	7
6.6.1 Примеры расчета производительности системы.....	7
6.7 Передний фланец с воздушной завесой.....	8
6.7.1 Рекомендуемые значения расхода и давления.....	8
7 Комплектующие	9
7.1 Установка комплекта стекол с IR-фильтром	9
8 Очистка.....	9
8.1 Очистка стекла	9
9 Информация об утилизации и переработке.....	9
10 Технические характеристики	10
10.1 Общие сведения	10
10.2 Механические хар.	10
10.3 Окно кожуха.....	11
10.4 Электрические хар.	11
10.5 Окружающая среда	11
10.6 Сертификаты	11
11 Технические чертежи	12

1 О настоящем руководстве

Перед установкой и использованием этого изделия внимательно прочтите всю предоставленную документацию. Всегда держите руководство под рукой, чтобы им можно было воспользоваться в будущем.

1.1 Типографские условные обозначения



ОПАСНОСТЬ!

Высокий уровень опасности.

Риск поражения электрическим током. При отсутствии иных указаний отключите питание устройства, перед тем как приступить к выполнению любой операции.



ПРЕДУПРЕЖДЕНИЕ!

Средний уровень опасности.

Данная операция крайне важна для обеспечения надлежащего функционирования системы. Внимательно ознакомьтесь с описанием процедуры и выполните ее в соответствии с приведенными указаниями.



INFO

Описание характеристик системы.

Рекомендуем внимательно ознакомиться с содержанием этого раздела, для того чтобы понять следующие этапы.

2 Примечания в отношении авторского права и информация о торговых марках

Названия устройств или компаний, упоминаемые в настоящем документе, являются торговыми марками или зарегистрированными торговыми знаками соответствующих компаний.

3 Правила техники безопасности



ПРЕДУПРЕЖДЕНИЕ! Установка и обслуживание устройства должны осуществляться только специализированным персоналом.



ПРЕДУПРЕЖДЕНИЕ! Система электропитания, к которой подключается устройство, должна быть оснащена двухполюсным автоматическим прерывателем цепи номинальным током 10А max. Минимальное расстояние между контактами автоматического выключателя цепи должно составлять 3mm. Выключатель цепи должен иметь защиту от тока КЗ на землю (дифференциальная защита) и защиту от перегрузки по току (термомагнитная защита).

- Производитель не несет ответственности за любые повреждения, возникающие в результате неправильного использования указанного в настоящем руководстве оборудования. Помимо этого, производитель сохраняет за собой право изменять содержание руководства без предварительного уведомления. Представленная в настоящем руководстве документация прошла тщательную проверку. Однако производитель не несет ответственности за ее использование. Аналогичные условия предусмотрены в отношении любого лица или компании, привлеченных для составления и создания данного руководства.
- Перед тем, как приступить к выполнению любых операций, убедитесь в том, что источник питания устройства отключен.
- Не используйте кабели, которые кажутся изношенными или старыми.
- Никогда и ни при каких обстоятельствах не выполняйте изменений или подключений, не предусмотренных настоящим руководством. Ненадлежащее использование оборудования может привести к возникновению серьезных опасных ситуаций, угрожающих безопасности персонала и системы.
- Используйте только оригинальные запасные части. Неоригинальные запасные части могут привести к возникновению пожара, электрического разряда или другой опасной ситуации.
- Перед монтажом проверьте соответствие поставленных материалов спецификациям заказа, сверив идентификационные ярлыки (4.2 Этикетка с маркировкой продукта, страница 4).
- Устройство предназначено для установки в зоне ограниченного доступа, и монтаж должен быть выполнен квалифицированными техническими специалистами.

4 Обозначение

4.1 Описание и обозначение типа устройства

Прочная конструкция данного кожуха позволяет использовать его для самых сложных задач, таких как наблюдение за печами, наблюдение в литейных цехах и на других участках с очень высокими температурами.

Кожух NXW полностью изготовлен из полированной нержавеющей стали, двойной корпус обеспечивает циркуляцию охлаждающей жидкости или воздуха; кожух закрывается двумя фланцами повышенной толщины.

Задний фланец позволяет вставлять кабели, используя две кабельные муфты PG13.5. Передний фланец может быть оснащен закаленным стеклом или кварцевым стеклом для использования при высоких температурах.

4.2 Этикетка с маркировкой продукта

См. ярлык на изделии.

Проверьте содержимое этикетки на упаковке изделия.

5 Подготовка устройства к использованию



Любое изменение, которое выполняется без разрешения, явным образом предоставленного производителем, аннулирует гарантию.

5.1 Распаковка

При получении устройства убедитесь, что упаковка не повреждена и не имеет явных признаков падения или царапин.

В случае наличия видимых повреждений незамедлительно свяжитесь с поставщиком.

В случае возврата неисправного устройства мы рекомендуем использовать оригинальную упаковку для транспортировки.

Сохраняйте упаковку на случай, если потребуется отправить устройство на ремонт.

5.2 Комплект оборудования

Проверьте комплект оборудования на соответствие представленному ниже списку материалов:

- Кожух
- Оснащение для кожуха:
 - Ключ шестигранник
 - Прокладки
 - Болты и винты
- Руководство по эксплуатации

5.3 Безопасная утилизация упаковочных материалов

Упаковочные материалы могут подвергаться переработке. Технический специалист установщика отвечает за сортировку материалов для переработки, а также за соблюдение требований законодательства, действующего в месте установки устройства.

6 Монтаж

6.1 Установка предохранительного кожуха

Снимите передний фланец (01) кожуха, отвинтив четыре винта (02) при помощи прилагаемого шестигранного ключа (03).

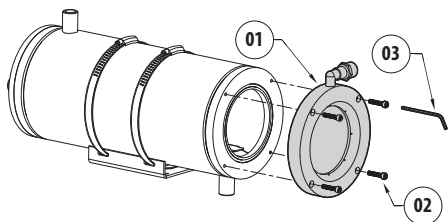


Рис. 1

Установить стекло в соответствующее гнездо на фланце, предварительно вставив должным образом уплотнительные кольца, соблюдая указанную последовательность.

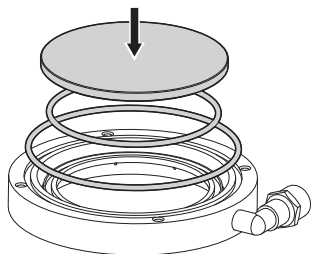


Рис. 2

В случае стекла с IR-фильтром, следуйте изложенным ниже указаниям по монтажу (7.1 Установка комплекта стекол с IR-фильтром, страница 9).

Расположить передний фланец кожуха на корпусе, уделяя внимание, чтобы уплотнительные прокладки были правильно вставлены в соответствующие гнезда таким образом, чтобы их нельзя было повредить. Затянуть 4 винта, используя гаечный ключ, поставляемый в комплекте.

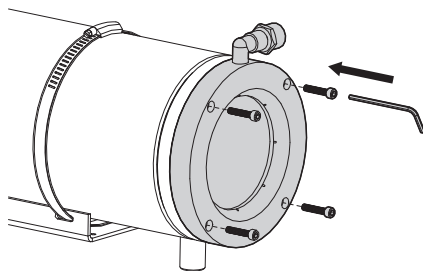


Рис. 3

6.2 Открывание кожуха

Открутите винты (01) на заднем фланце (02), используя прилагаемый шестигранный ключ (03).

Вынуть стенку кожуха, обращая внимание на то, чтобы прокладки оставались на своих местах.

Это позволит получить доступ к внутренней части кожуха, не демонтируя опорный кронштейн.

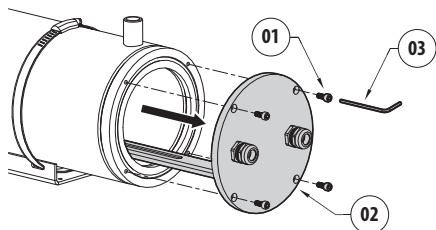


Рис. 4

6.3 Установка камеры

Откройте кожух, следуя указаниям в соответствующем разделе (6.2 Открывание кожуха, страница 6).

Установите камеру на направляющие, используя изоляционную прокладку (01), винт 1/4" и шайбу (02), входящие в комплект. При необходимости используйте прокладку, чтобы правильно установить камеру и оптику.

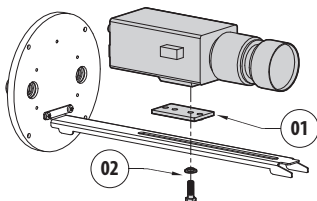


Рис. 5

Вставьте кабели в кабельные муфты и выполните необходимые электрические соединения.

Убедитесь, что кабельные муфты надежно закреплены.

6.4 Закрывание кожуха

⚠ Будьте внимательны при монтаже. Момент затяжки: 4Nm.

После завершения операций по установке и прокладке кабелей закройте устройство.

Будьте внимательны, чтобы не повредить уплотнительную прокладку.

Убедитесь, что оно правильно установлено на должном месте.

6.5 Установка предохранительного кожуха

⚠ Будьте внимательны при монтаже. Момент затяжки: 4Nm.

Прикрепите кожух к кронштейну, используя прилагаемые винты.

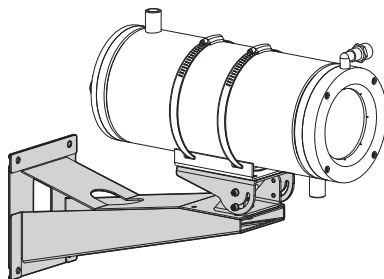


Рис. 6

6.6 Контур охлаждения

Кожух оснащен входным и выходным соединением охлаждающего контура, оба с резьбой 1/2"Gas.

Требования по монтажу и отводу тепла вынуждают выбирать расположение входных и выходных соединений охлаждающего контура согласно конкретной ситуации.

Два места соединения охлаждающего контура расположены у переднего (01) и у заднего (02) фланца, их можно независимо использовать для впуска и выпуска охлаждающей жидкости.

Кроме того, при необходимости можно повернуть кожух на крепежном основании, ослабив два крепежных зажима (03).

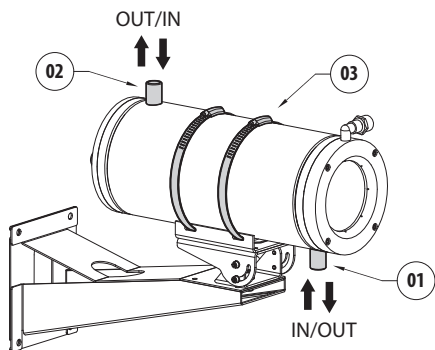


Рис. 7

6.6.1 Примеры расчета производительности системы

Изложенные ниже экспериментальные данные относятся к использованию воды в качестве охлаждающей жидкости, при температуре на входе в кожух 20°C и максимальной температуре окружающей среды 400°C.

СИСТЕМА ВОДЯНОГО ОХЛАЖДЕНИЯ (ТЕМПЕРАТУРА ВОДЫ НА ВХОДЕ СОСТАВЛЯЕТ 20°C)		
Т окружающей среды (°C)	Расход Воды (l/min)	Т внутри кожуха (°C)
200	2	32
300	2.2	41
400	6.5	44

Табл. 1

Изложенные ниже экспериментальные данные относятся к воздушному охлаждению, при температуре на входе в кожух 17°C и максимальной температуре окружающей среды 80°C.

СИСТЕМА ВОЗДУШНОГО ОХЛАЖДЕНИЯ (ТЕМПЕРАТУРА ВОЗДУХА НА ВХОДЕ СОСТАВЛЯЕТ 17°C)			
Т окружающей среды (°C)	Давление воздуха (bar)	Расход воздуха (m³/h)	Т внутри кожуха (°C)
80	1	10	45
80	2	15	35

Табл. 2

6.7 Передний фланец с воздушной завесой

Фланец с воздушной завесой оснащен резьбовым соединением на 1/4"Gas и редуктором с 1/2"Gas на 1/4"Gas. К этому соединению необходимо подключить контур сжатого воздуха, который нагнетает компрессор.

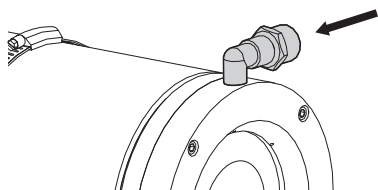


Рис. 8

6.7.1 Рекомендуемые значения расхода и давления

На входе в кожух рекомендуется установить:

- Манометр.
- Регулирующий клапан.
- Дополнительный блок фильтров для очистки сжатого воздуха (NXFIGRU2, фильтрация 0.1µm).

Это позволит:

- Считать и регулировать давление, подаваемое воздушной завесой.
- Упростить осуществление техобслуживания.



Слишком высокие значения давления могут привести к повреждению окна. Тщательно соблюдайте указанные ниже максимальные значения:

Фланец с 8 отверстиями с двойным стеклом с IR-фильтром

- Давление в системе: 4bar max
- Минимальное рекомендуемое давление: 2bar

Фланец с 32 отверстиями с закаленным стеклом

- Давление в системе: 6bar max
- Минимальное рекомендуемое давление: 2bar

В качестве примера, ниже приведены графики давления в системе/давления на выходе и давления в системе/расхода воздуха, которые помогут выбрать компрессор с необходимой производительностью. Все значения являются ориентировочными.

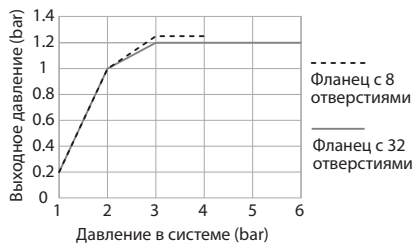


Рис. 9

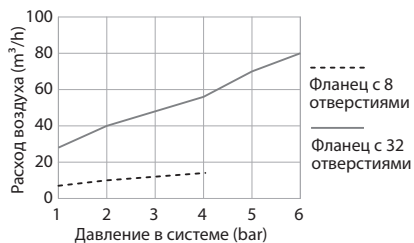


Рис. 10

7 Комплектующие

7.1 Установка комплекта стекол с IR-фильтром

Комплект состоит из пары стекол с IR-фильтром и специального фланца с воздушной завесой, отличающегося от стандартного, который необходимо заменить.

Снимите передний фланец кожуха, отвинтив 4 винта при помощи прилагаемого шестигранного ключа.

Вставьте уплотнительные кольца (01), (02) в специальные пазы на фланце. Установите пару стекол (03) в специальное гнездо.



Правильное направление стекол с IR-фильтром.

Маркировка (04) обозначает поверхность каждого стекла, которая должна быть направлена наружу относительно кожуха.

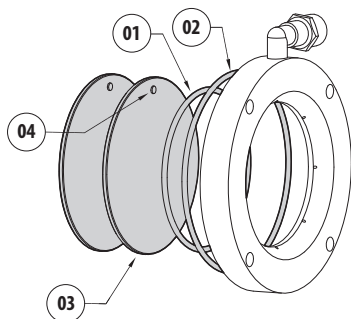


Рис. 11

Установите новый передний фланец на корпус кожуха, убедившись, что уплотнения правильно вставлены в гнезда, чтобы не повредить их. Затянуть 4 винта, используя гаечный ключ, поставляемый в комплекте.

8 Очистка

8.1 Очистка стекла

Мы рекомендуем использовать мягкую ткань с нейтральным мылом, разведенным в воде, или специальные вещества для очистки стеклянных объектов.



Не используйте этиловый спирт, растворители, галогенированные углеводороды, сильные кислоты и щелочи. Подобные вещества могут необратимо повредить поверхность устройства.

9 Информация об утилизации и переработке

Европейская директива 2012/19/ЕС Об Отходах Электрического и Электронного Оборудования (RAEE) предписывает, что данные устройства не следует утилизировать вместе с твердыми бытовыми отходами; их сбор осуществляется отдельно для оптимизации потока их утилизации и переработки содержащихся в них материалов, а также снижения воздействия на здоровье людей и окружающую среду в связи с присутствием потенциально опасных веществ.



Значок с изображением зачеркнутого мусорного контейнера присутствует на всей продукции для напоминания об указанном требовании.

Отходы могут доставляться в соответствующие центры по сбору отходов или бесплатно передаваться дистрибьютору, у которого было куплено оборудование, в момент покупки новой аналогичной продукции или без обязательства совершить новую покупку в случае оборудования, чей размер не превышает 25см.

Для получения более подробной информации о надлежащей утилизации данных устройств вы можете обратиться в уполномоченную государственную организацию.

10 Технические характеристики

10.1 Общие сведения

Кожух изготовлен из полированной нержавеющей стали (легированная аустенитная нержавеющая сталь, стойкая к коррозии и теплу):

- AISI 316L
- UNI 6900-71: X 2 Cr Ni Mo 17 12 2
- DIN 17006: X 2 Cr Ni Mo 17 13 2
- N° werkstoff: 1.4404
- AFNOR: Z2 CND 17-12
- BSI: 316S11

Используемые винты изготавливаются из аустенитной нержавеющей стали, устойчивость которой к коррозии и перегреву соответствует следующим стандартам:

- ISO: 7380
- AISI: 316
- Качество согласно стандартам ISO: A4
- Класс прочности согласно стандартам ISO: от 50 до 70

10.2 Механические хар.

Отполированная внешняя поверхность корпуса

Размеры (ØxД): 154x375mm

Пространство внутри корпуса (ШxВ): 78x78mm

Полезная внутренняя длина: 345mm

Полезная внутренняя длина (с блоком питания): 223mm

2 разъема 1/2" GAS для подачи/отвода жидкости

Фланец с воздушной завесой оснащен резьбовым соединением на 1/4"Gas и редуктором с 1/2"Gas на 1/4"Gas.

Уплотнители: уплотнительное кольцо

Толщина фланца (задний) : 9mm

Кабельные муфты: 2xPG13.5 (никелированная латунь)

Охлаждающая жидкость (пример использования с водой, которая поступает с температурой 20°C):

- температура окружающей среды 200°C, расход воды 2l/min, температура внутри корпуса 32°C
- температура окружающей среды 300°C, расход воды 2.2l/min, температура внутри корпуса 41°C
- температура окружающей среды 400°C, расход воды 6.5l/min, температура внутри корпуса 44°C

Охлаждающий воздух (Пример применения с воздухом на входе при температуре 17°C и внешней температуре 80°C):

- при давлении 1bar, расход воздуха 10m³/h, температура внутри корпуса 45°C
- при давлении 2bar, расход воздуха 15m³/h, температура внутри корпуса 35°C

Воздушный барьер (Фланец с 8 отверстиями)

- Вход папа 1/2" GAS
- Давление в системе: 4bar max
- Минимальное рекомендуемое давление: 2bar

Воздушный барьер (Фланец с 32 отверстиями)

- Вход папа 1/2" GAS
- Давление в системе: 6bar max
- Минимальное рекомендуемое давление: 2bar

Вес устройства: 10.2kg

10.3 Окно кожуха

Рабочий диаметр: 95mm

Закаленное сверхпрозрачное стекло

- Толщина: 6mm
- Рабочая температура: 260°C max, перепад температуры 108°C max

Кварцевое стекло

- Толщина: 6mm
- Рабочая температура: 400°C max, термический градиент 220°C max

Стекло с IR-фильтром

- Толщина: 6.6mm
- Рабочая температура: 260°C max, перепад температуры 108°C max

10.4 Электрические хар.

Питание камеры

IN от 100Vac до 240Vac, 50/60Hz - OUT 12Vdc, 1.25A

IN 230Vac, 50/60Hz - OUT 24Vac, 400mA

10.5 Окружающая среда

Для установки внутри помещений и наружной установки

Максимальная рабочая температура (с водяным охлаждением):

- в случае закаленного стекла 260°C max
- в случае кварцевого стекла 400°C max
- в случае стекла с IR-фильтром 260°C max

Относительная влажность: от 5% до 95%

10.6 Сертификаты

Электробезопасность (CE): EN60065, EN62368-1

Электромагнитная совместимость (CE): EN50130-4, EN61000-6-3

Степень защиты IP: EN60529, IP66/IP67

Сертификат EAC

11 Технические чертежи



Размеры указаны в миллиметрах.

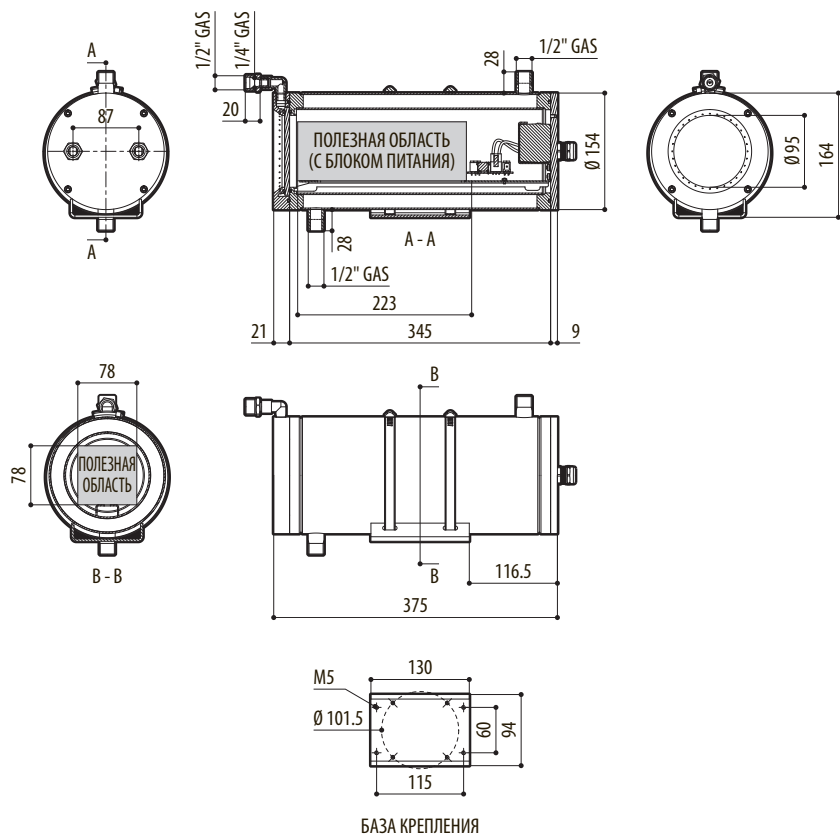


Рис. 12 NXW.



Headquarters Italy VIDEOTECH s.r.l.
Via Friuli, 6 - I-36015 Schio (VI) - Italy
Tel. +39 0445 697411 - Fax +39 0445 697414
Email: info@videotec.com
www.videotec.com

MNVCNXW_2222_RU



Headquarters Italy VIDEOTEC s.r.l.
Via Friuli, 6 - I-36015 Schio (VI) - Italy
Tel. +39 0445 697411 - Fax +39 0445 697414
Email: info@videotec.com
www.videotec.com

MNVCNXW_2222