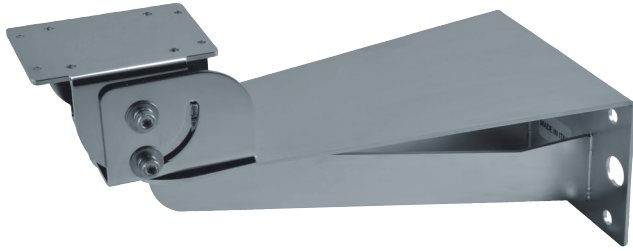


# MHXWBS

## WALL MOUNT BRACKET



### DESCRIPTION

Thick AISI 316L stainless steel MAXIMUS housing bracket. Can be combined with MPXCOL and MPXCW pole and corner mount adapters.

### TECHNICAL DATA

#### MECHANICAL

Bracket for MHX, MHXT, NXM, NXM36, NXM36 Hi-PoE, NXW, NTW, NTM  
Suitable for MPXCOL, MPXCW  
Made of AISI 316L electropolished stainless steel  
Load rating: 40kg (88lb)  
Length: 440mm (17.3in)  
Unit weight: 5.4kg (11.9lb)

### PART NUMBER

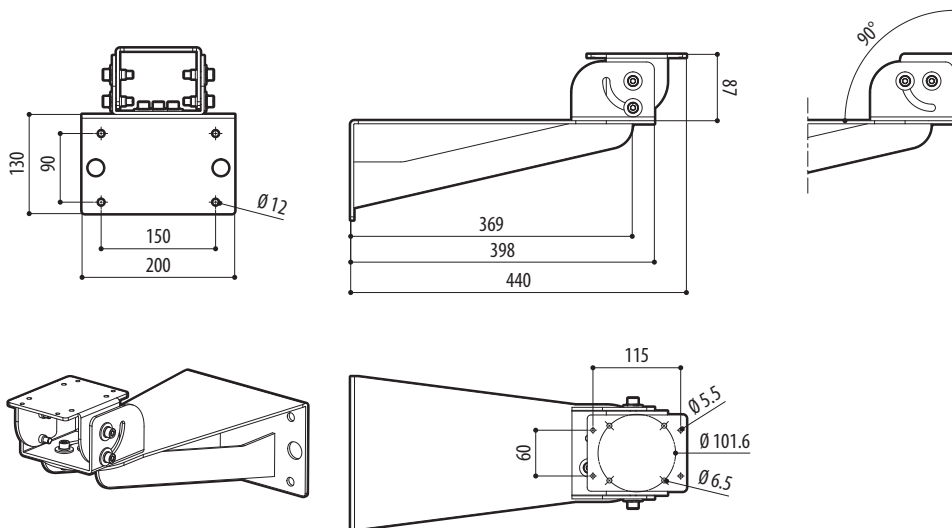
MHXWBS AISI 316L stainless steel wall bracket

### PACKAGE

Model Number	Weight	Dimensions (WxHxL)	Master carton
MHXWBS	6.5kg (14.3lb)	58x34x22cm (23x13.4x8.7in)	-

### TECHNICAL DRAWINGS

The indicated measurements are expressed in millimetres.



MHXWBS