

VERSO COMPACT

COMPACT SIDE-OPENING POLYCARBONATE CAMERA HOUSING



IP66

IP67

TYPE
4X

IK10



VERSO COMPACT + WBOVA2



VERSO COMPACT + CAMERA

DESCRIPTION

Sturdy, tamper-proof housing designed to simplify installation and service and guarantee total protection against all environmental conditions. Entirely constructed from technopolymer, it guarantees high impact resistance and perfect weather protection from external agents and UV rays. A wide range of accessories for mounting the equipment is available thereby satisfying all installation needs. The housing proposes various mounting options, wall or ceiling brackets, feedthrough and non-feedthrough, or Pan & Tilt head.

MAIN FEATURES

IP66/IP67 (with cable glands or optional sealing rings)
Vandal-proof protection (IK10)
Pre-arranged for internal cable management bracket
Available accessories: heater, camera power supply, fan assisted heater

TECHNICAL DATA

GENERAL

Made of strong technopolymer (polycarbonate)
Sunshield in ABS
RAL9002 Colour
Stainless steel external screws

MECHANICAL

Internal usable area (WxH): 63x63mm (2.5x2.5in)
Internal usable length (with or without accessories): 210mm (8.3in)
Cable glands: 2xM16
Polycarbonate window (WxH): 98x55mm (3.9x2.2in)
Unit weight: 1.1kg (2.2lb)

ELECTRICAL

Supply voltage/Current consumption (empty version):

- From 12Vdc up to 24Vdc, 1A max
- From 12Vac up to 24Vac, 1A max, 50/60Hz
- From 120Vac up to 230Vac, 400mA max, 50/60Hz

Supply voltage/Current consumption (version with heater, Ton 15°C±3°C (59°F ±5°F), Toff 22°C±3°C (72°F±5°F)):

- From 12Vdc up to 24Vdc, 5A max
- From 12Vac up to 24Vac, 5A max, 50/60Hz
- From 120Vac up to 230Vac, 700mA max, 50/60Hz

Supply voltage/Current consumption (version with heater fan assistant, continuous duty):

- 12Vdc, 400mA max
- 24Vac, 200mA max, 50/60Hz
- From 100Vac up to 240Vac, 40mA max, 50/60Hz (with wide-range power supply)

Camera power supply:

- IN from 100Vac up to 240Vac, 50/60Hz - OUT 12Vdc, 1.25A
- IN 230Vac, 50Hz - OUT 24Vac, 50Hz, 400mA

ENVIRONMENT

For indoors and outdoors installation
Operating temperature (with heater): from -20°C (-4°F) up to +60°C (140°F)
Chemical agents resistance

- High resistance: basics, alcohols, gas, hydrocarbon
- Good resistance: Organic acids, inorganic acids, oils
- Low resistance: Solvents

Relative humidity: from 5% up to 95%

CERTIFICATIONS

Electrical safety (CE): EN60950-1, EN62368-1, IEC60950-1
Electromagnetic compatibility (CE): EN50130-4, EN61000-6-3, EN55032 Class B, FCC Part. 15 Class B, ICES-003 Class B
Outdoor installation (CE): EN60950-22, IEC 60950-22
IP protection degree (EN60529):

- IP66 (with cable glands)
- IP66 (with bracket with internal cable channel, with sealing rings)

IK protection degree: EN62262, IK10
UL certification:

- cULus Listed, TYPE 4X
- UL94, V1 (fire-self extinguish)

EAC certification

ACCESSORIES

OHEH26	Heater 120Vac/230Vac for HOV, HTV, VERSO, VERSO COMPACT housings
OHEH27	Heating 12Vdc/24Vac for HOV, HTV, HTC, VERSO and VERSO COMPACT housings
OHPVV1	Heater fan assistant, continuous duty, IN 12Vdc, for VERSO and VERSO COMPACT housings
OHPVV2	Heater fan assistant, continuous duty, IN 24Vac, for VERSO and VERSO COMPACT housings
OHPVV3	Heater fan assistant, continuous duty, IN 100-240Vac, for VERSO and VERSO COMPACT housings
OHEPS19B	Wide range camera power supply IN 100-240Vac - OUT 12Vdc, 1.25A, for VERSO, VERSO POLAR, VERSO COMPACT, HEG, HTG housings
OHEPS20	Camera power supply IN 230Vac - OUT 24Vac, 10VA, for VERSO, VERSO POLAR, VERSO COMPACT, HEG, HTG housings
OWBIP2	Sealing rings kit (3xM16) IP66 for WBOVA2 and WCM4A2 brackets for PUNTO, HOV, HTV, VERSO, VERSO POLAR, VERSO COMPACT, HEB, HEK housings
OHEGBB	Weatherproof junction box
OSUPPIR	Support for 1 GEKO IRH illuminator under the housing (the combination between OSUPPIR and WBOVA2 wall mount is not compatible with the PUNTO housing)

RELATED PRODUCTS

PTH300	Horizontal/vertical Pan & Tilt
--------	--------------------------------

BRACKETS AND ADAPTORS

WBJA	Wall mount bracket
WBMA	Wall bracket with ball joint
WBOVA2	Wall bracket with internal cable channel
WBOV3A2	Wall bracket with internal cable channel, counterplate and support box, not compatible with OHEBVF1, OHEBVF2 and OHEBVF3
WCM3A	Ceiling bracket with ball joint
WCM5A	Ceiling bracket with ball joint
WCM4A2	Ceiling bracket with internal cable channel
WCM5A	Linear extension for WCM4A2 and WCM5A
WFWCA	Column bracket with joint

DBHWGC	Pole adapter Ø 210mm, max 225mm (8.2in, max 8.9in). To be combined with the reinforcing support plate WCPA.
WCWA	Corner mount adaptor
WSFPA	Pole mount adaptor
WCPA	Reinforcing support plate for poor consistency walls
NXWTU	Wall adaptor module in stainless steel AISI 316L

SPARE PARTS

OHPVS36A000	Sunshield
DOTHPV02	Cable glands, screws and spacers for camera and lens
OHPV36CS04	Complete upper body

PACKAGE

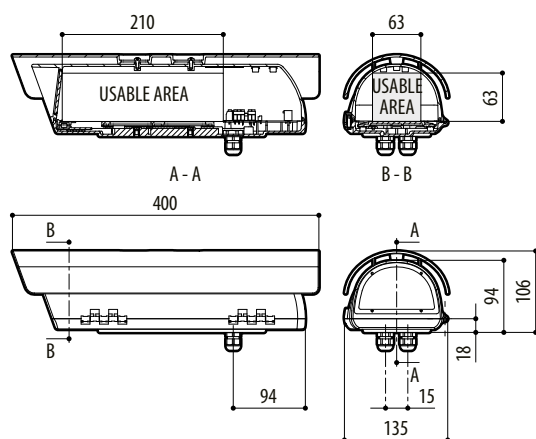
Model Number	Weight	Dimensions (WxHxL)	Master carton
HPV36K1A000B	1.4kg (3lb)	15.2X14X53cm (6x5.5x21in)	10

AVAILABLE MODELS

Model Number	Sunshield	Heater 120Vac/230Vac	Heater 12Vdc/24Vac	Heater 24Vac fan assisted	Max consumption
HPV36D0A000B	–	–	–	–	–
HPV36K0A000B	√	–	–	–	–
HPV36K1A000B	√	√	–	–	40W
HPV36K2A000B	√	–	√	–	20W
HPV36K2A015B	√	–	–	√	24W

TECHNICAL DRAWINGS

The indicated measurements are expressed in millimetres.



VERSO COMPACT